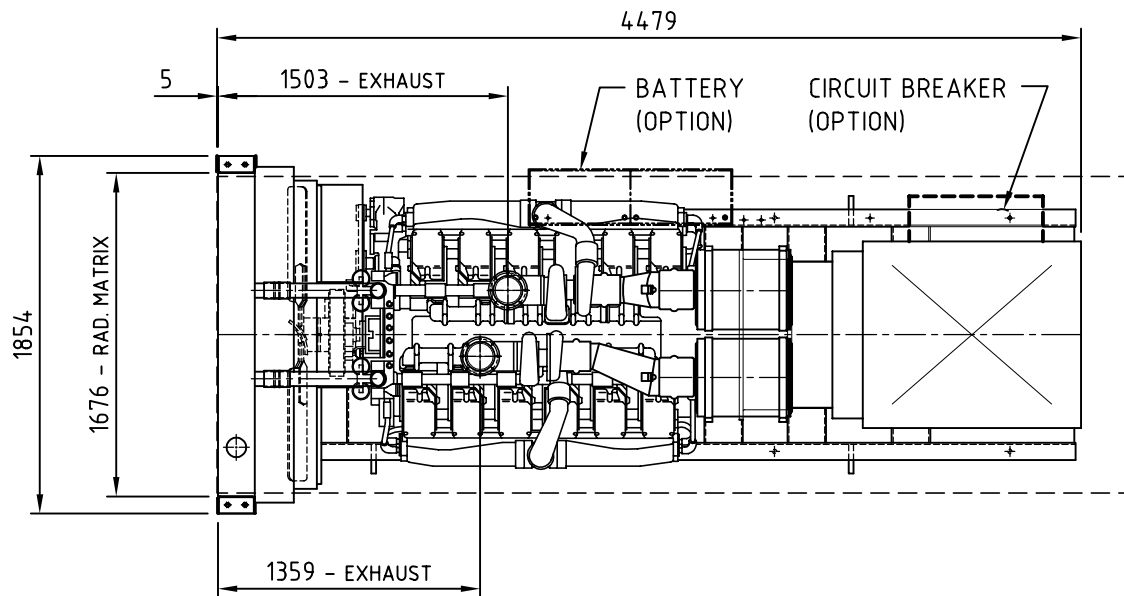


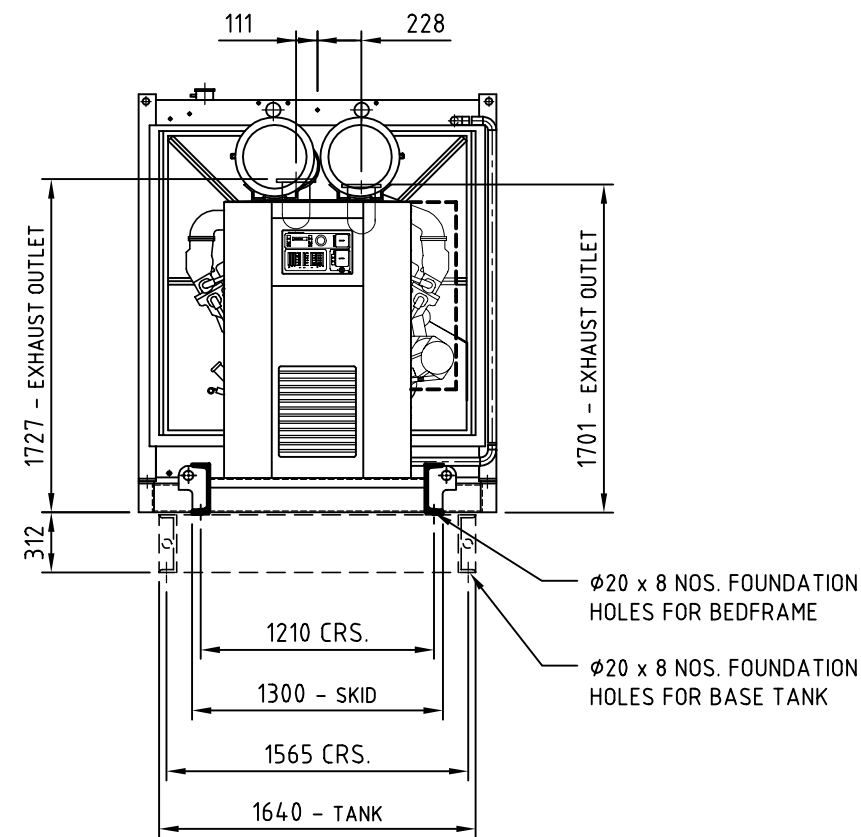
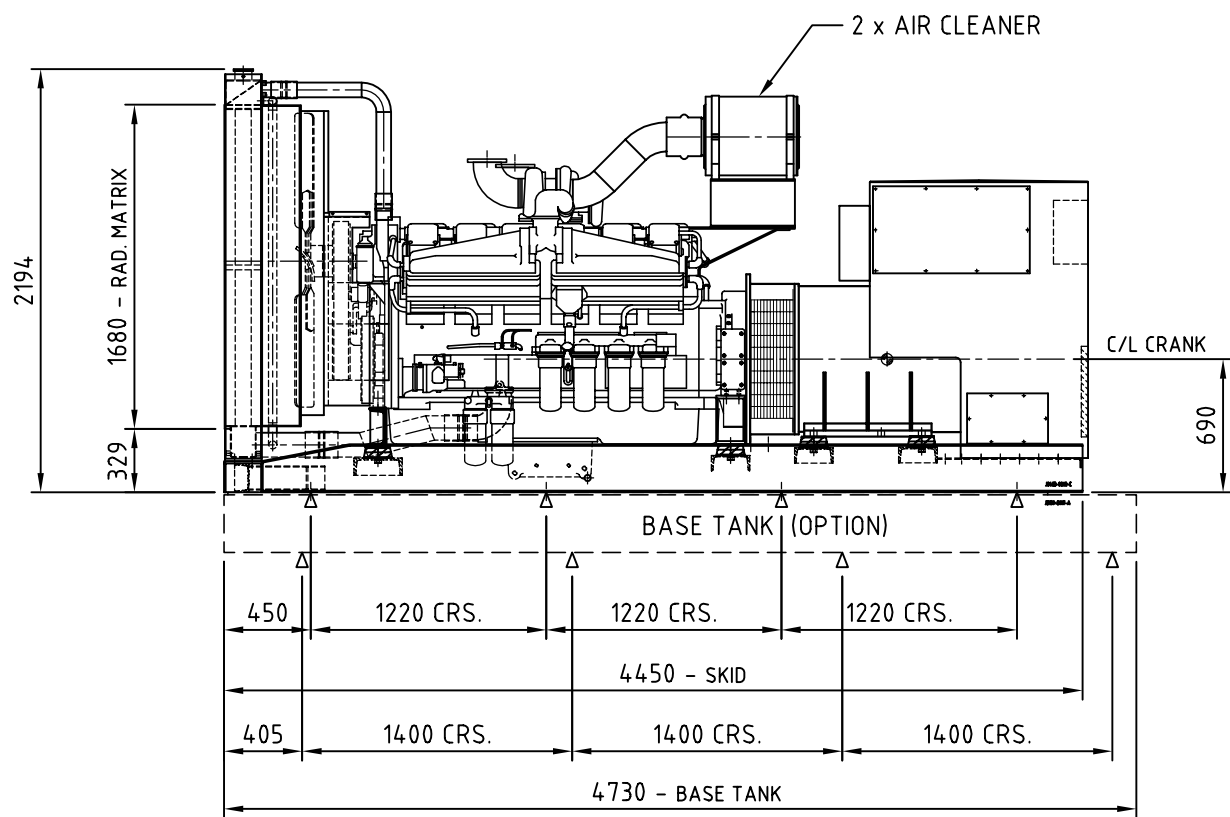
J0500-0495

B

REL NO	LTR	NO	REVISION	ZONE	DR	CHKR	APPROVED	DATE
-	-	1	1ST RELEASE	-	SC	LS	CL	29-JUL-05



	Model	Engine	Alternator	Ambient Temp.	Open Bed (kg)		Open Bed with Fuel Tank (kg)		Tank (Litres)
					Dry Wt.	Wet Wt.	Dry Wt.	Wet Wt.	
50Hz	C1100 D5B	KTA38 G5	HC6K	40°C	8466	9017	9686	11657	1700
60Hz	C1000 D6B	KTA38 G4	HC6J	40°C	8466	9017	9686	11657	1700



METRIC DWG		TOLERANCE UNLESS OTHERWISE SPECIFIED		SIM TO		NAME		DATE		CUMMINS	CUMMINS POWER GENERATION	
AUTOCAD DWG		mm	Inch	COPIED FROM	DR	S.CHUA	29-JUL-05				44 PIONEER SECTOR 2 SINGAPORE 628395	
DO NOT SCALE PRINT		ANG TOL ±1°		THIRD ANGLE PROJECTION		CHKR <input checked="" type="checkbox"/> L.SNG		29-JUL-05		TITLE		
DRAWN TO SCALE OF 1/40		HOLE DIM		THIS DOCUMENT IS THE PROPERTY OF CUMMINS POWER GENERATION. IT CONTAINS PROPRIETARY AND CONFIDENTIAL INFORMATION WHICH MUST NOT BE DUPLICATED, USED OR DISCLOSED OTHER THAN AS EXPRESSLY AUTHORIZED BY CUMMINS POWER GENERATION OR ITS REPRESENTATIVE		APPROVED C.LIM		29-JUL-05		GENSET OUTLINE		
						FOR INTERPRETATION OF DIMENSIONING AND TOLERANCING, SEE ANSI Y14.5M-1982		MODEL FIRST USED ON		SITE CODE		
						XXXX				PGS		
										DWG NO. J0500-0495		
										SHEET 1 OF 1		
										DWG SI ZE B		

PGS REF: