

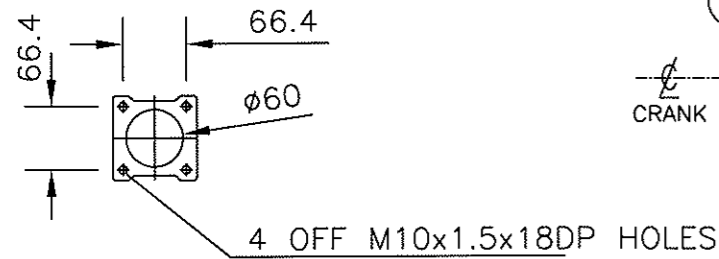
0500-3981

A3

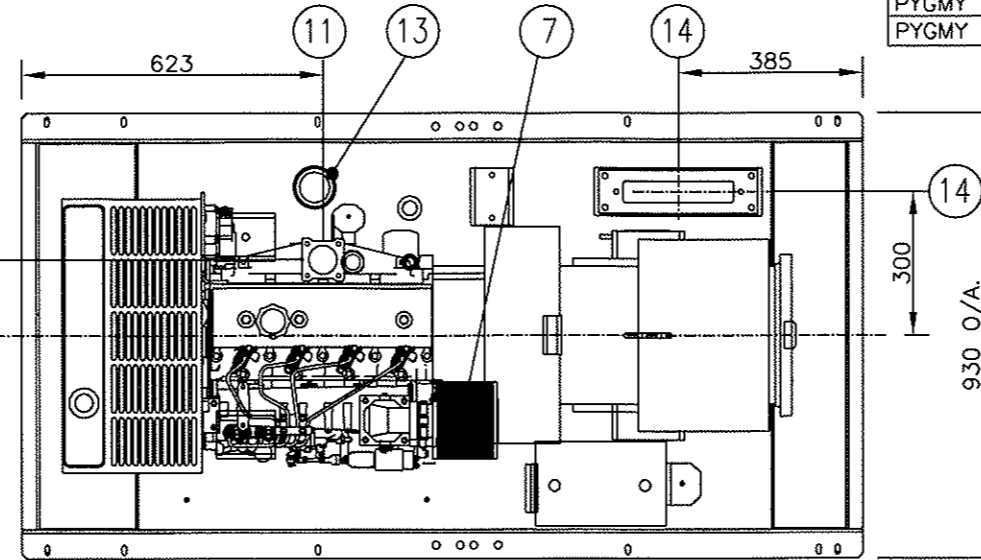
REL. No.	LTR	No.	REVISION	ZONE	DRN	CHKR	APPROVED	DATE
PYGMY	1	1	PRELIMINARY RELEASE	-	AJW	DW	AITKEN	08/04/04
PYGMY	2	1	GENSET WEIGHTS REVISED	A4	DSW	DS	AITKEN	24/05/04

EXHAUST OUTLET DETAIL (ITEM 11)

SCALE 1:2

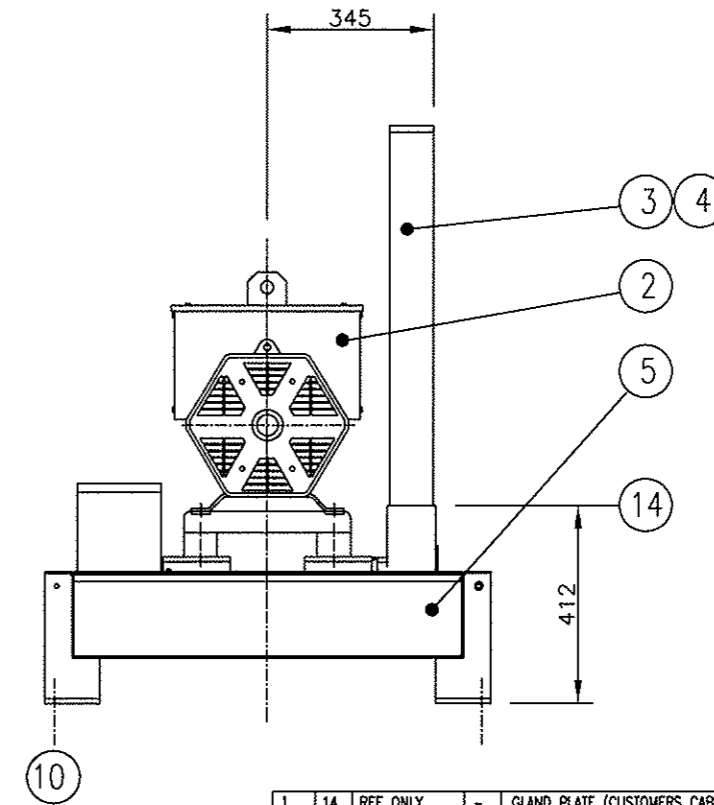
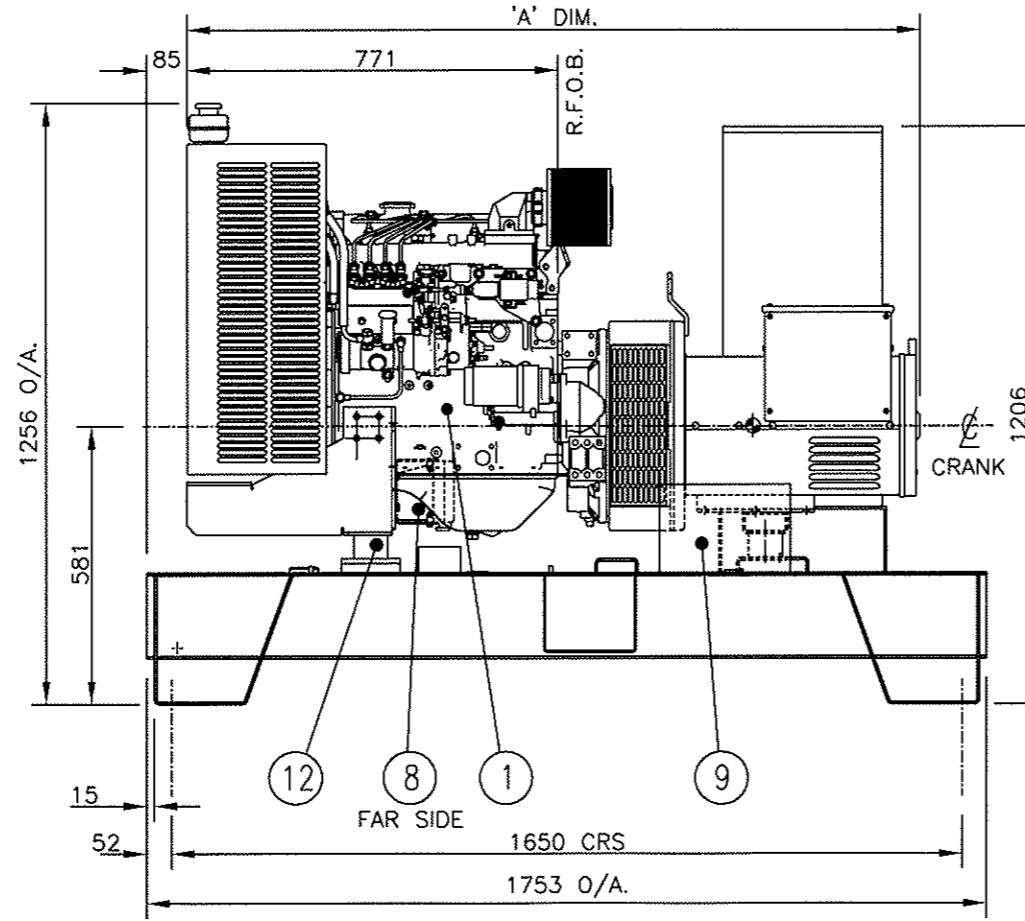
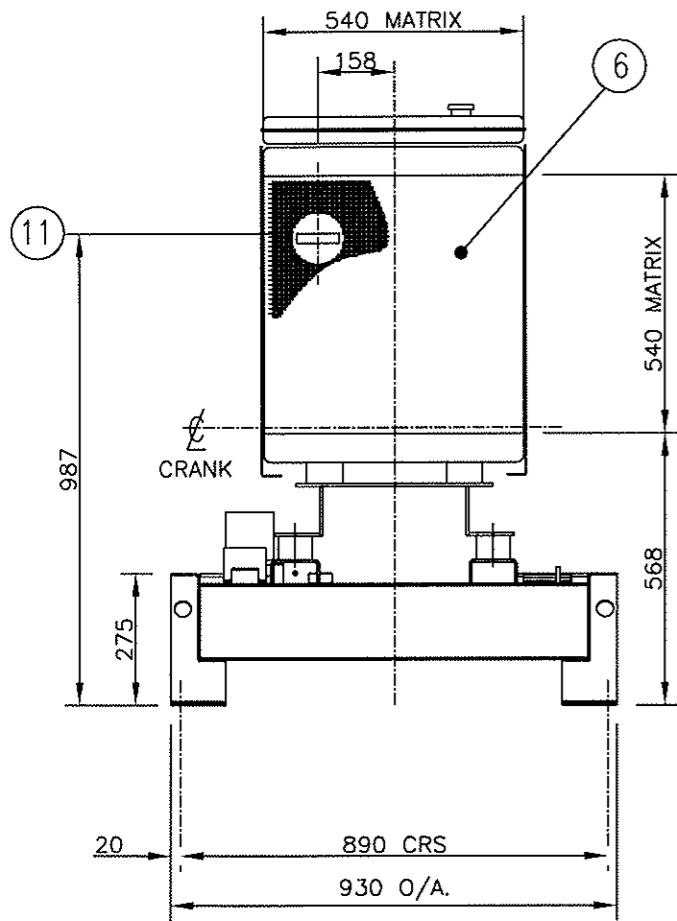


CRANK



NOTES:-

- CUSTOMER LOAD CABLES TO BE FLEXIBLE TO ALLOW FOR MOVEMENT OF GENSET ON A.V. MOUNTS.
- FOR LIFTING INFORMATION REFER TO LIFTING ILLUSTRATION DRAWING NUMBER 0539-2132.
- TERMS AND CONDITIONS CAN BE FOUND AT THE FOLLOWING :- www.cumminspower.com/terms



QTY	ITEM	PART No.	DESCRIPTION OR MATERIAL
1	14	REF ONLY	- GLAND PLATE (CUSTOMERS CABLE CONNECTIONS)
1	13	REF ONLY	- FUEL FILLER/BREATHER
4	12	REF ONLY	- RESILIENT MOUNT
1	11	REF ONLY	- EXHAUST OUTLET (SEE DETAIL)
4	10	REF ONLY	- FIXING DOWN HOLES 20#
1	9	REF ONLY	- BATTERY - 12V
1	8	REF ONLY	- COOLANT HEATER
1	7	REF ONLY	- AIR CLEANER - STANDBY (FOR HEAVY DUTY REFER TO DRG. 0179-3782)
1	6	REF ONLY	- RADATOR - DENSO
1	5	REF ONLY	- SKID & TANK ASSEMBLY
1	4	REF ONLY	- CONTROLLER - PCC1300
1	3	REF ONLY	- CONTROL HOUSING
1	2	REF ONLY	- ALTERNATOR - NEWAGE BC184E,G & H
1	1	REF ONLY	- ENGINE - B3.3G1

MODEL	ENGINE	ALTERNATOR	DRY WEIGHT	WET WEIGHT	WET WEIGHT+FUEL	'A' DIM.
C22	B3.3G1	BC184E	544 KG.	609 KG.	731 KG.	1307
C33	B3.3G1	BC184G	580 KG.	645 KG.	767 KG.	1397
C38	B3.3G1	BC184H	640 KG.	705 KG.	827 KG.	1530

TOLERANCE UNLESS OTHERWISE SPECIFIED	SIMILAR TO	NAME	DATE
X = ±0.5	COPIED FROM	TONY WATSON	08/04/04
X.X = ±0.3		CHECKED D SMITH	24/05/04
X.XX = ±0.15	THIRD ANGLE PROJECTION	APPROVED M AITKEN	25/05/04
0.09-4.99 = +0.15/-0.08	THIS DOCUMENT IS THE PROPERTY OF CUMMINS POWER GENERATION. IT CONTAINS PROPRIETARY AND CONFIDENTIAL INFORMATION WHICH MUST NOT BE DUPLICATED, USED OR DISCLOSED OTHER THAN AS EXPRESSLY AUTHORIZED BY CUMMINS POWER GENERATION OR ITS REPRESENTATIVE	FOR INTERPRETATION OF DIMENSIONING AND TOLERANCING, SEE BS 308 Part 2	FIRST USED ON
5.00-9.99 = +0.20/-0.10		C22 - C38	
10.00-17.49 = +0.25/-0.13			
17.50-24.99 = +0.30/-0.13			

SITE CODE
PGK

Cummins Power Generation
Columbus Avenue, Manston, Ramsgate
Kent, CT12 5BF, England, UK

TITLE
GENSET-OUTLINE (B3.3)

DWG No. **0500-3981**

SHEET **1** OF **2**
DWG SIZE **A3**

AutoCAD

DO NOT SCALE PRINT

ANGLE TOL. ±1.0°
SCALE:

4

3

↑

2

1