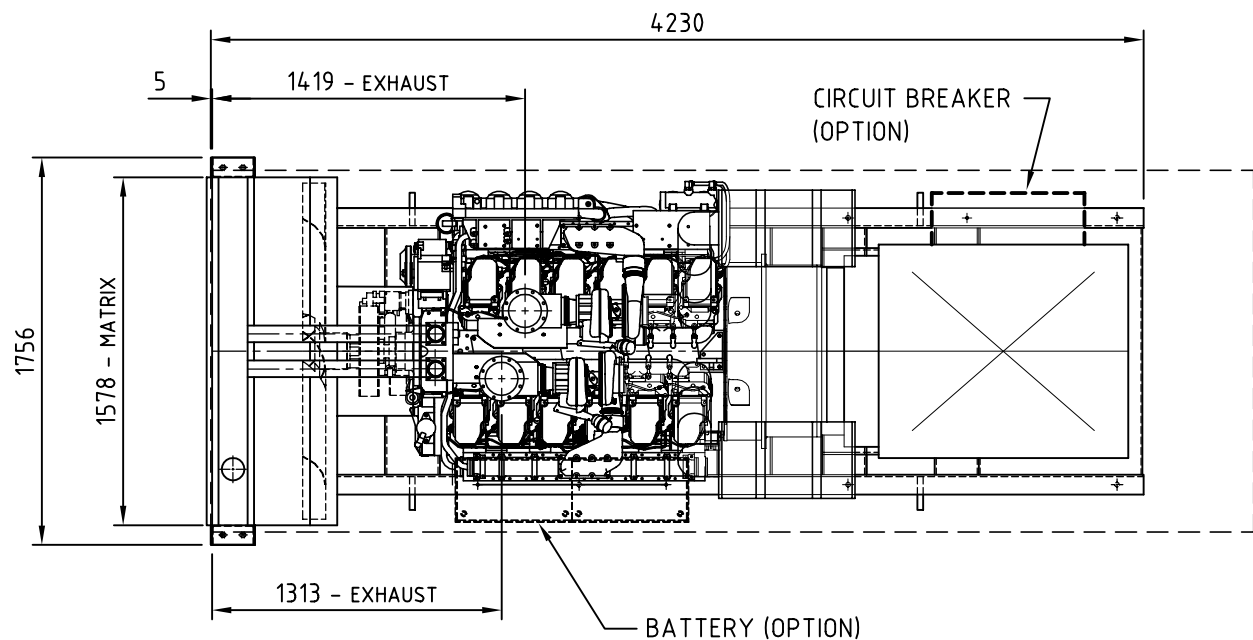


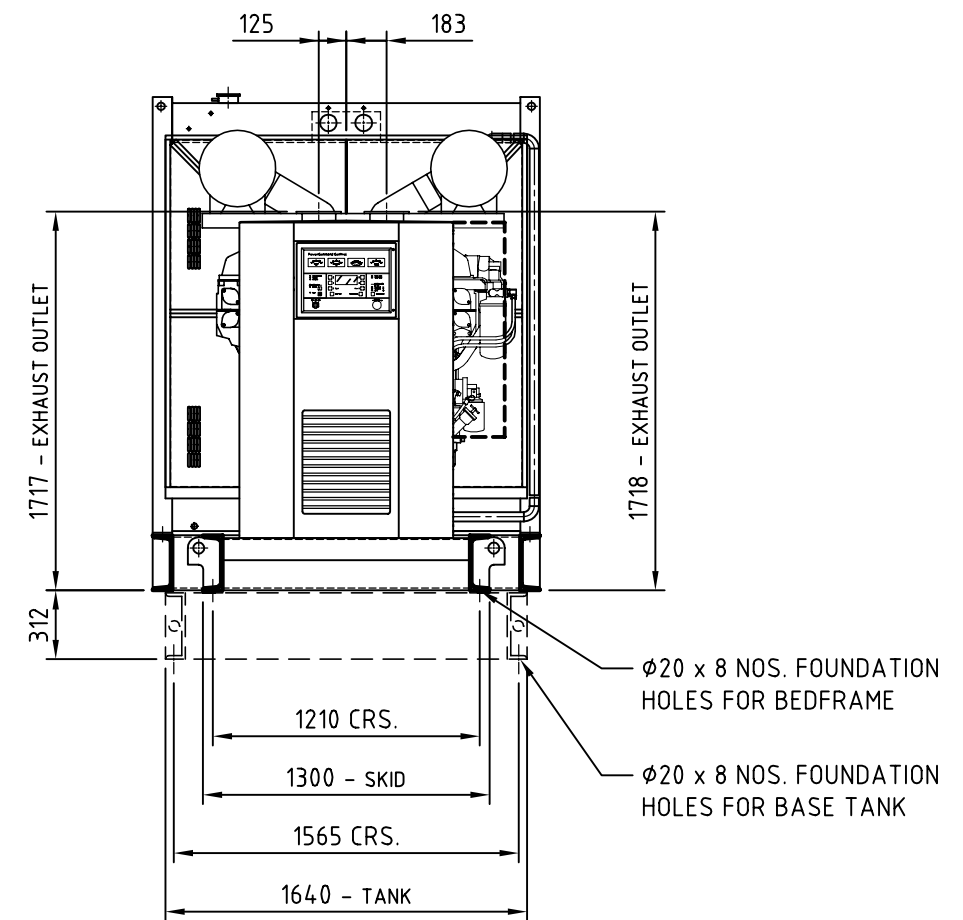
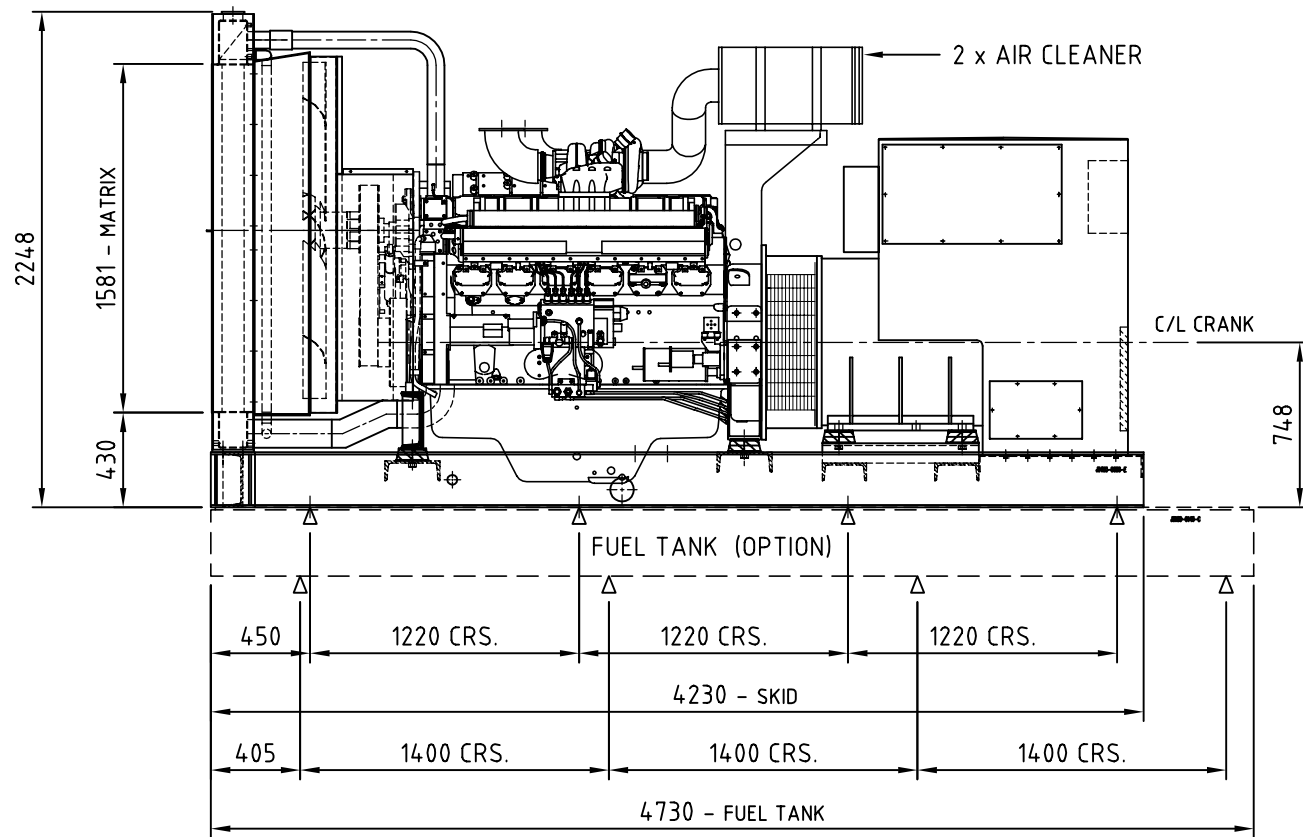
J0500-0474

B

REL NO	LTR	NO	REVISION	ZONE	DR	CHKR	APPROVED	DATE
-	-	1	1ST RELEASE	-	SC	LS	CL	29-JUL-05



	Model	Engine	Alternator	Ambient Temp.	Open Bed (kg)		Open Bed with Fuel Tank (kg)		Tank (Litres)
					Dry Wt.	Wet Wt.	Dry Wt.	Wet Wt.	
50Hz	C1000 D5	QST30 G3	HC6J	40°C	6890	7295	8118	9943	1700
60Hz	C925 D6	QST30 G3	HC6J	40°C	6890	7295	8118	9943	1700



METRIC DWG		TOLERANCE UNLESS OTHERWISE SPECIFIED		SIM TO		NAME		DATE			CUMMINS POWER GENERATION	
AUTOCAD DWG		mm	Inch	COPIED FROM	DR	S.CHUA	29-JUL-05				44 PIONEER SECTOR 2 SINGAPORE 628395	
DO NOT SCALE PRINT		ANG TOL ±1°		THIRD ANGLE PROJECTION		CHKR	L.SNG	29-JUL-05	SITE CODE		TITLE	
DRAWN TO SCALE OF 1/35		HOLE DIM		THIS DOCUMENT IS THE PROPERTY OF CUMMINS POWER GENERATION. IT CONTAINS PROPRIETARY AND CONFIDENTIAL INFORMATION WHICH MUST NOT BE DUPLICATED, USED OR DISCLOSED OTHER THAN AS EXPRESSLY AUTHORIZED BY CUMMINS POWER GENERATION OR ITS REPRESENTATIVE		APPROVED	C.LIM	29-JUL-05	PGS		GENSET OUTLINE	
		0.09-4.99	+0.15/-0.08	.004-.200	+0.006/-0.003	FOR INTERPRETATION OF DIMENSIONING AND TOLERANCING, SEE ANSI Y14.5M-1982		MODEL FIRST USED ON		DWG NO.		SHEET
		5.00-9.99	+0.20/-0.10	.201-.421	+0.008/-0.004	XXXX				J0500-0474		1 of 1
		10.00-17.49	+0.25/-0.13	.422-.703	+0.010/-0.005							DWG SIZE
		17.50-24.99	+0.30/-0.13	.704-.999	+0.012/-0.005							B

PGS REF: