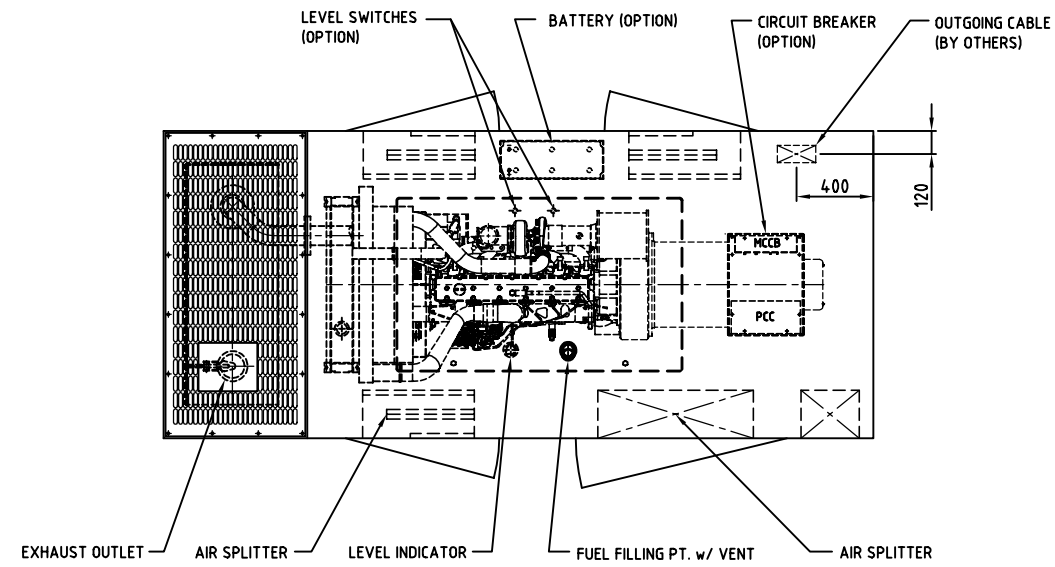
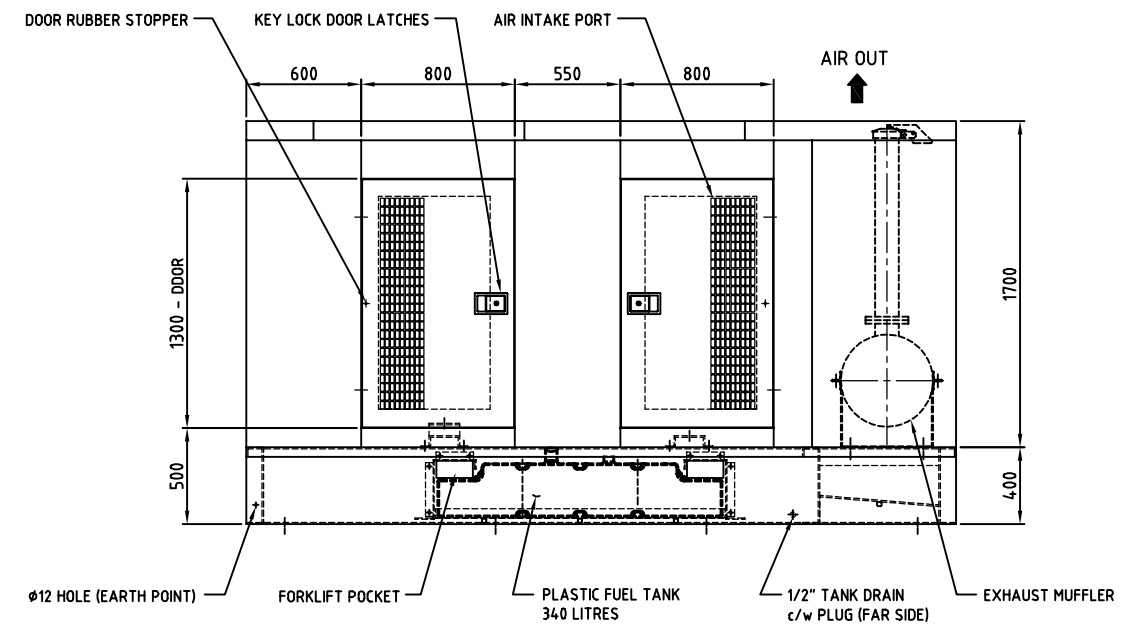
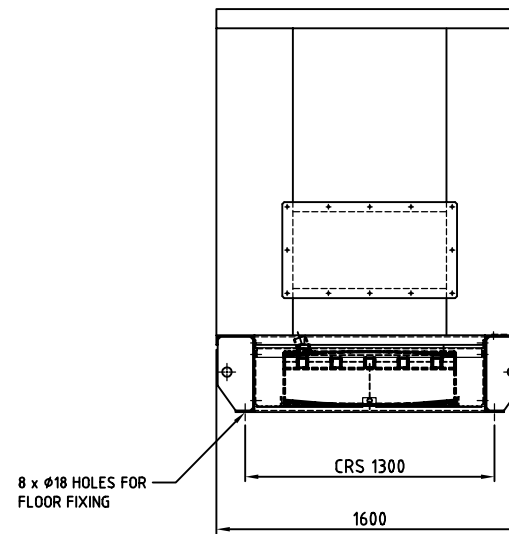
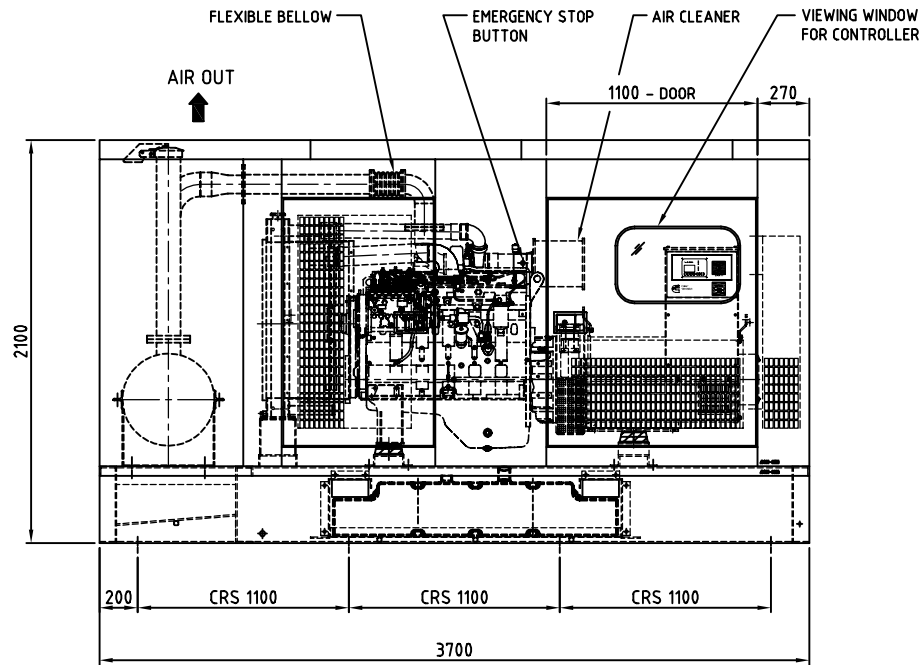


REL NO	LTR	NO	REV SI ON	ZONE	DR	CHKR	APPROVED	DATE
-	-	1	1ST RELEASE	-	SC	CL	CL	12-APR-05



	Model	Engine	Newage Alternator	Radiator Ambient Temp.	Tank (Litres)	Weight Dry (kg)	Weight Wet (kg)	Noise Level dBA @ 1m
50Hz	C200D5S	6CTA8.3 G2	UC274H	50°C	340	3100	3440	85
60Hz	C180D6	6CTA8.3 G2	UC274G	50°C	340	3100	3440	85



METRIC DWG
AUTOCAD DWG

DO NOT SCALE PRINT	TOLERANCE UNLESS OTHERWISE SPECIFIED	SH TO X	X	NAME	DATE	PGS	SITE CODE	TITLE	DWG NO.	SHEET	DATE
mm	mm	mm	mm	S.CHUA	02-MAR-05						
				C.LIM	02-MAR-05						
				C.LIM	02-MAR-05						