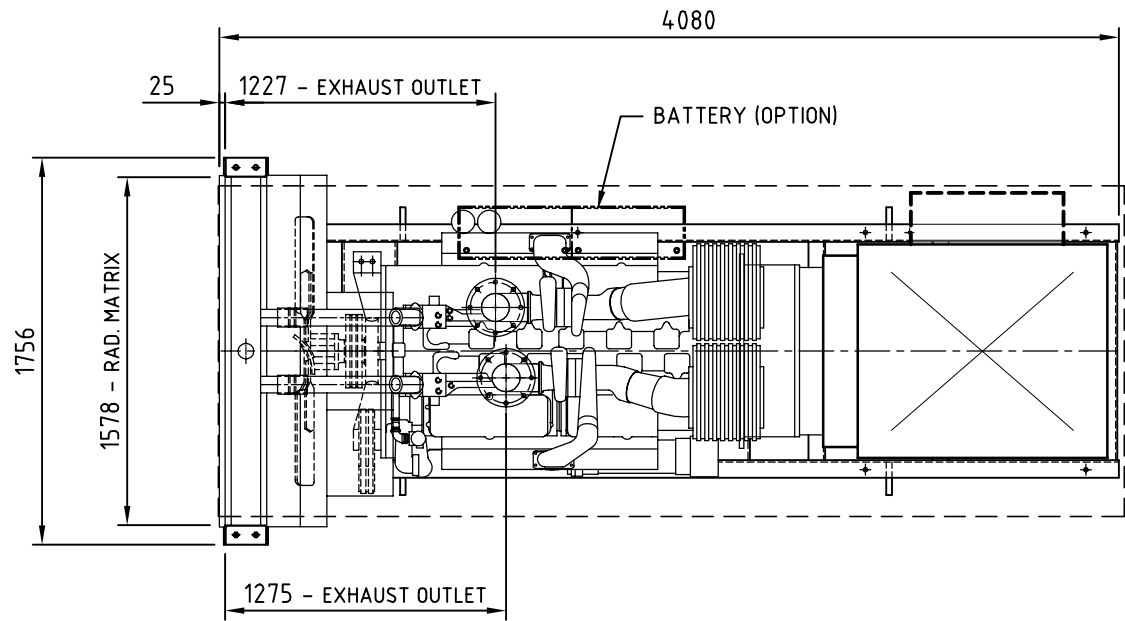


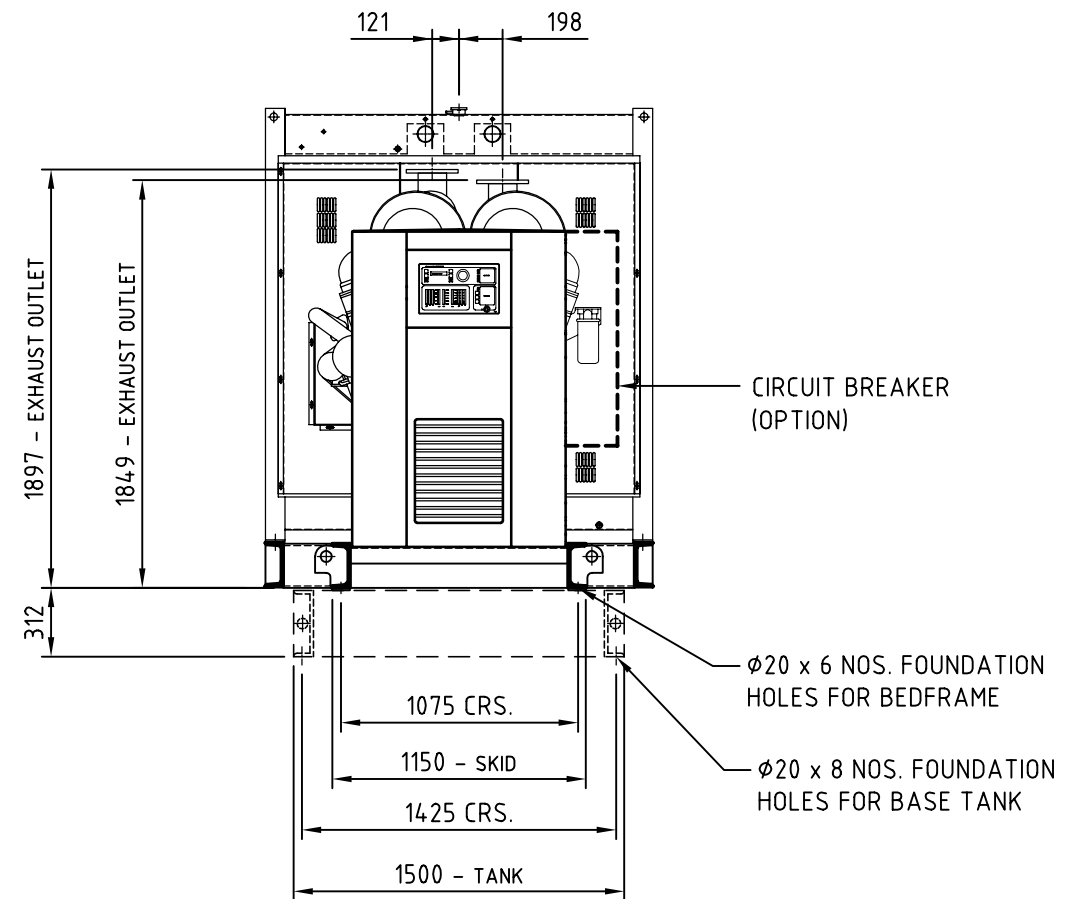
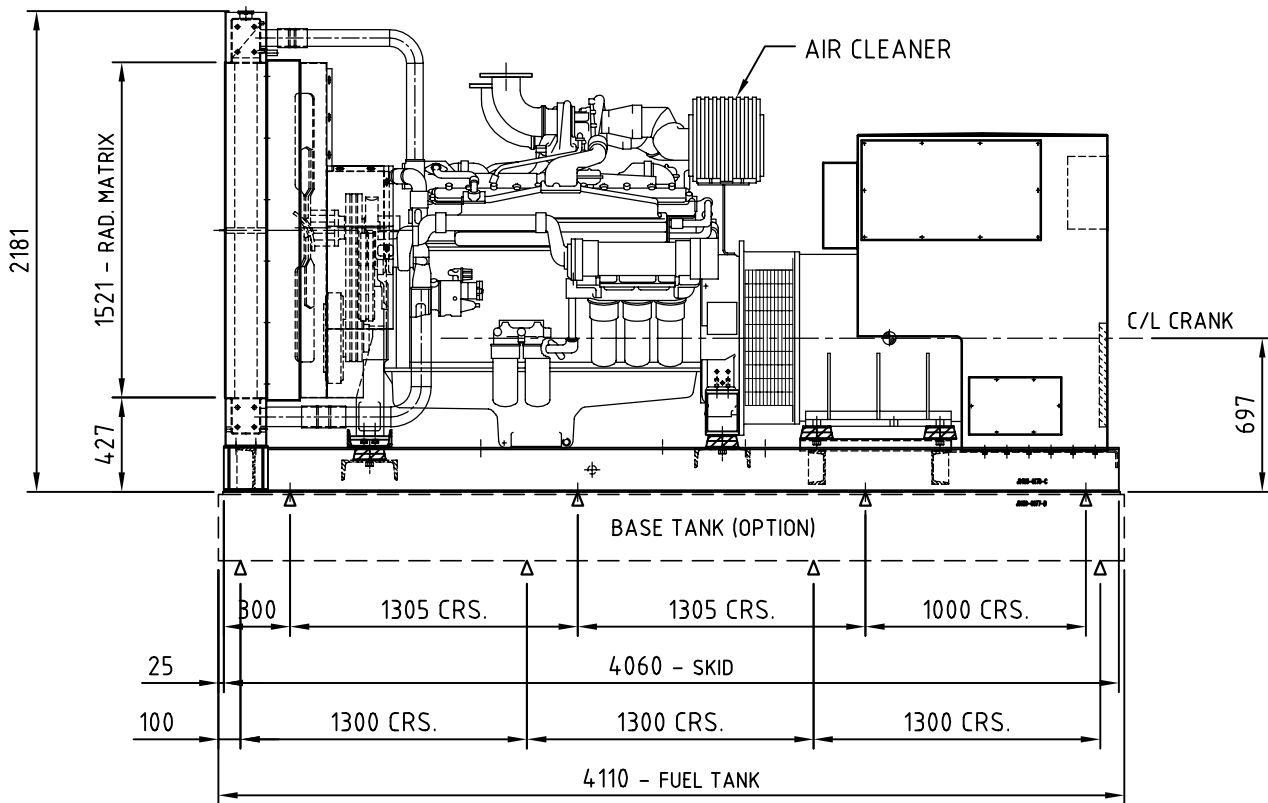
J0500-0472

B

REL NO	LTR	NO	REVISION	ZONE	DR	CHKR	APPROVED	DATE
-	-	1	1ST RELEASE	-	SC	LS	CL	29-JUL-05



	Model	Engine	Alternator	Ambient Temp.	Open Bed (kg)		Open Bed with Fuel Tank (kg)		Tank (Litres)
					Dry Wt.	Wet Wt.	Dry Wt.	Wet Wt.	
50Hz	C825 D5A	VTA28 G6	HC6G	40°C	6278	6568	7348	8807	1400
60Hz	C750 D6A	VTA28 G7	HC6G	40°C	6278	6568	7348	8807	1400



METRIC DWG		TOLERANCE UNLESS OTHERWISE SPECIFIED		SIM TO		NAME		DATE		CUMMINS POWER GENERATION	
AUTOCAD DWG		mm	Inch	COPIED FROM	DR	S.CHUA		29-JUL-05		44 PIONEER SECTOR 2 SINGAPORE 628395	
DO NOT SCALE PRINT		ANG TOL ±1°		THIRD ANGLE PROJECTION		CHKR <input checked="" type="checkbox"/> L.SNG		29-JUL-05		TITLE GENSET OUTLINE	
DRAWN TO SCALE OF 1/35		HOLE DIM		THIS DOCUMENT IS THE PROPERTY OF CUMMINS POWER GENERATION. IT CONTAINS PROPRIETARY AND CONFIDENTIAL INFORMATION WHICH MUST NOT BE DUPLICATED, USED OR DISCLOSED OTHER THAN AS EXPRESSLY AUTHORIZED BY CUMMINS POWER GENERATION OR ITS REPRESENTATIVE		APPROVED C.LIM		29-JUL-05		SITE CODE PGS	
		0.09-4.99	+0.15/-0.08	.004-.200	+0.006/-0.003	FOR INTERPRETATION OF DIMENSIONING AND TOLERANCING, SEE ANSI Y14.5M-1982		MODEL FIRST USED ON XXXX		DWG NO. J0500-0472	
		5.00-9.99	+0.20/-0.10	.201-.421	+0.008/-0.004					SHEET 1 of 1	
		10.00-17.49	+0.25/-0.13	.422-.703	+0.010/-0.005					DWG SI ZE B	
		17.50-24.99	+0.30/-0.13	.704-.999	+0.012/-0.005					PGS REF:	