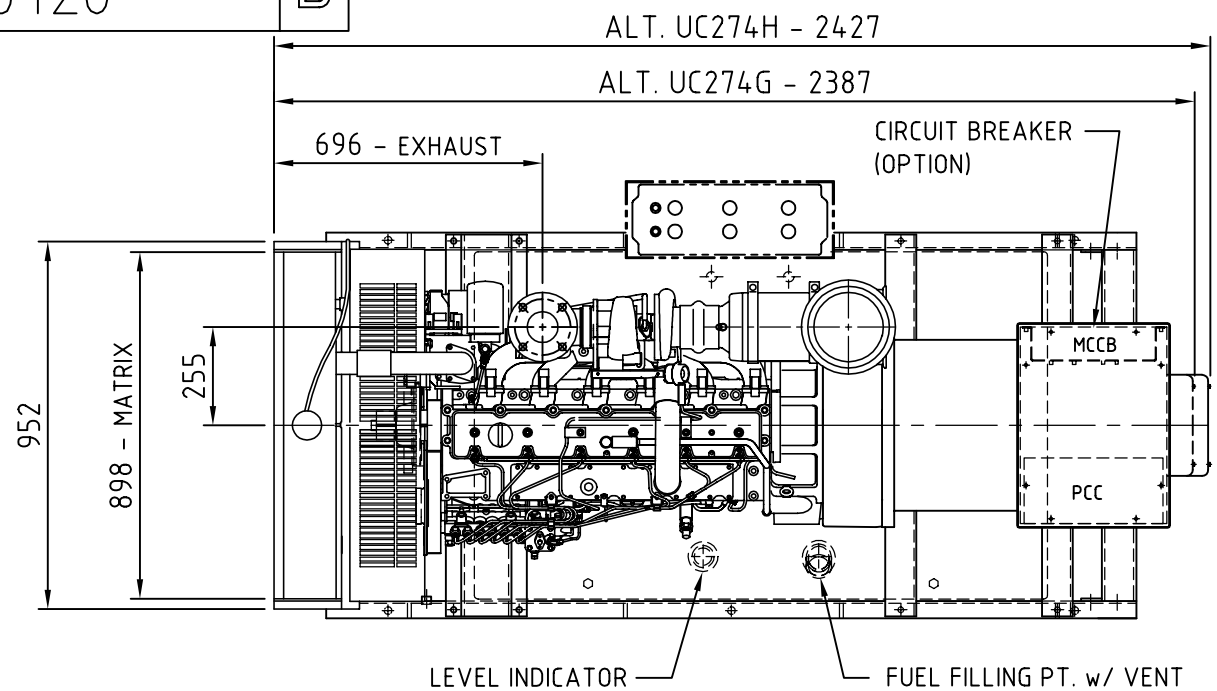


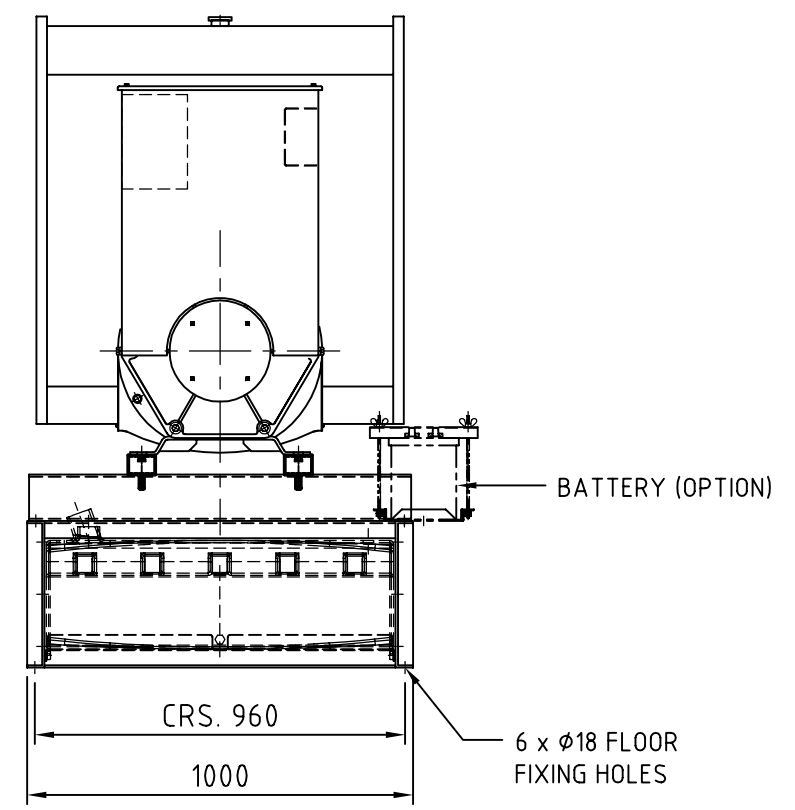
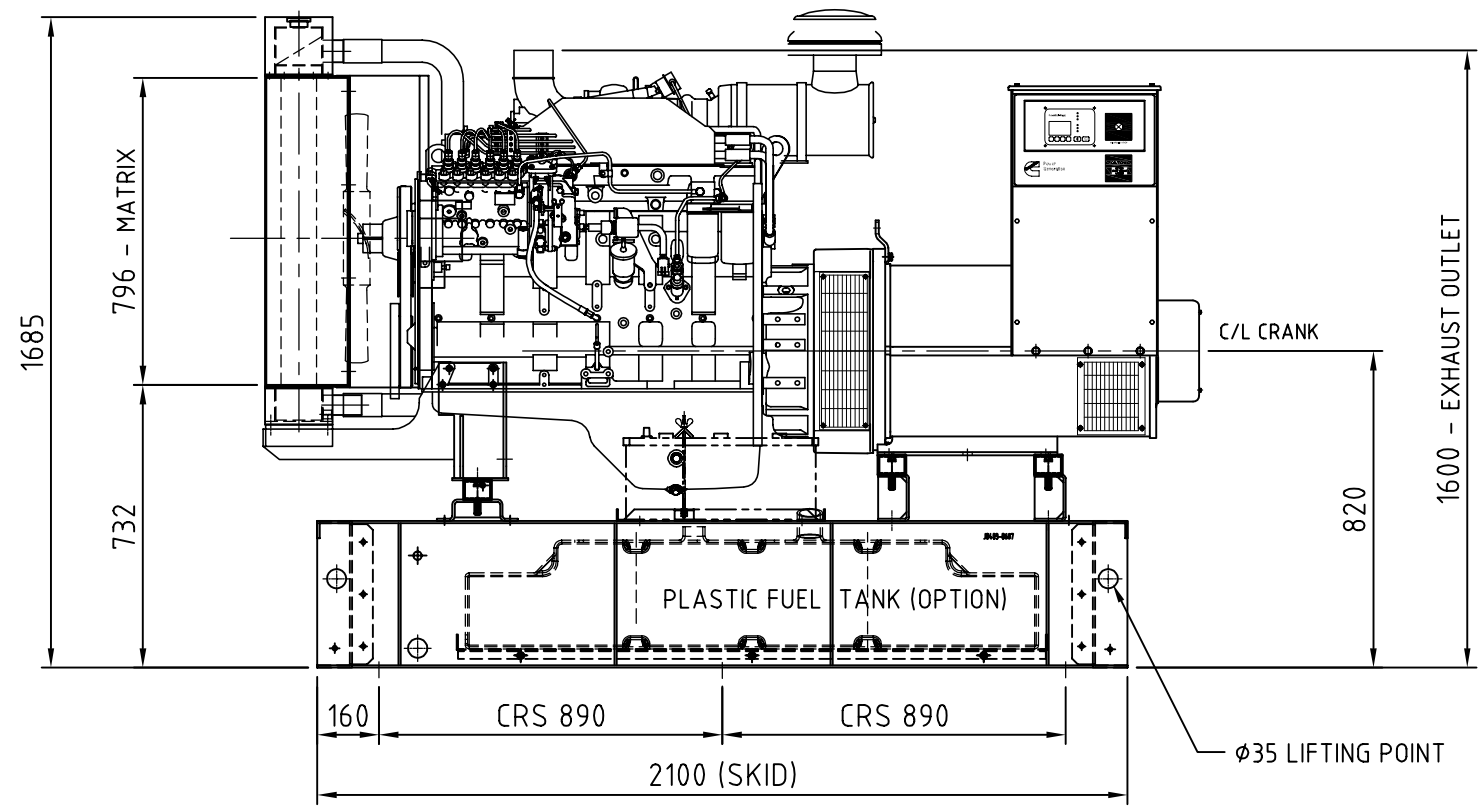
J0500-0426

B

REL NO	LTR	NO	REVISION	ZONE	DR	CHKR	APPROVED	DATE
-	-	1	1ST RELEASE	-	SC	CL	CL	28-MAR-05



ENGINE	CUMMINS 6CTA8.3 G2
RADIATOR	50° AMBIENT
ALTERNATOR	NEWAGE UC274 G/H
GENSET WT.	1870 KG (DRY) 1940 KG (WET)
CENTRE HT.	468 mm
FAN CENTRE	292 mm
EXH. CONN.	4" FLANGE JIS '5K'
FUEL INLET	1/4" NPTF
FUEL OUTLET	1/6" O.D. TUBE
MOUNTS	RUBBER
FUEL TANK	340 LITRES (OPTION)
WT. WITH TANK	1892 KG (DRY) 2243 KG (WET)



METRIC DWG	TOLERANCE UNLESS OTHERWISE SPECIFIED		SIM TO		QTY	ITEM	PART NO.	DWG SIZE	DESCRIPTION OR MATERIAL	REF DES
	mm	Inch	COPIED FROM	DATE	NAME	DATE				
AUTOCAD DWG	DIM		THIRD ANGLE PROJECTION							
	HOLE		THIS DOCUMENT IS THE PROPERTY OF CUMMINS POWER GENERATION. IT CONTAINS PROPRIETARY AND CONFIDENTIAL INFORMATION WHICH MUST NOT BE DUPLICATED, USED OR DISCLOSED OTHER THAN AS EXPRESSLY AUTHORIZED BY CUMMINS POWER GENERATION OR ITS REPRESENTATIVE							
DO NOT SCALE PRINT	ANG TOL ±1°	0.09-4.99	+0.15/-0.08	.004-.200	+0.006/-0.003	DR	S.CHUA	28-MAR-05		CUMMINS POWER GENERATION 44 PIONEER SECTOR 2 SINGAPORE 628395
	DRAWN TO SCALE OF 1/20	5.00-9.99	+0.20/-0.10	.201-.421	+0.008/-0.004	CHKR <input checked="" type="checkbox"/>	C.LIM	28-MAR-05		
		10.00-17.49	+0.25/-0.13	.422-.703	+0.010/-0.005	APPROVED	C.LIM	28-MAR-05	SITE CODE	PGS
		17.50-24.99	+0.30/-0.13	.704-.999	+0.012/-0.005	FOR INTERPRETATION OF DIMENSIONS AND TOLERANCING, SEE ANSI Y14.5M-1982	MODEL FIRST USED ON	C200D5S, C180D6	DWG NO.	J0500-0426
									SHEET	1 of 1
									DWG SIZE	B

PGS REF: