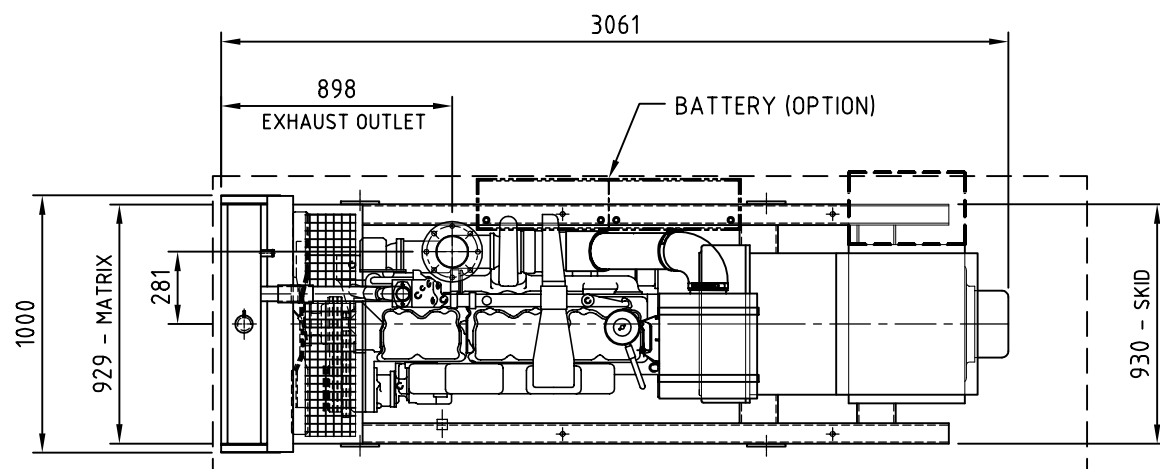


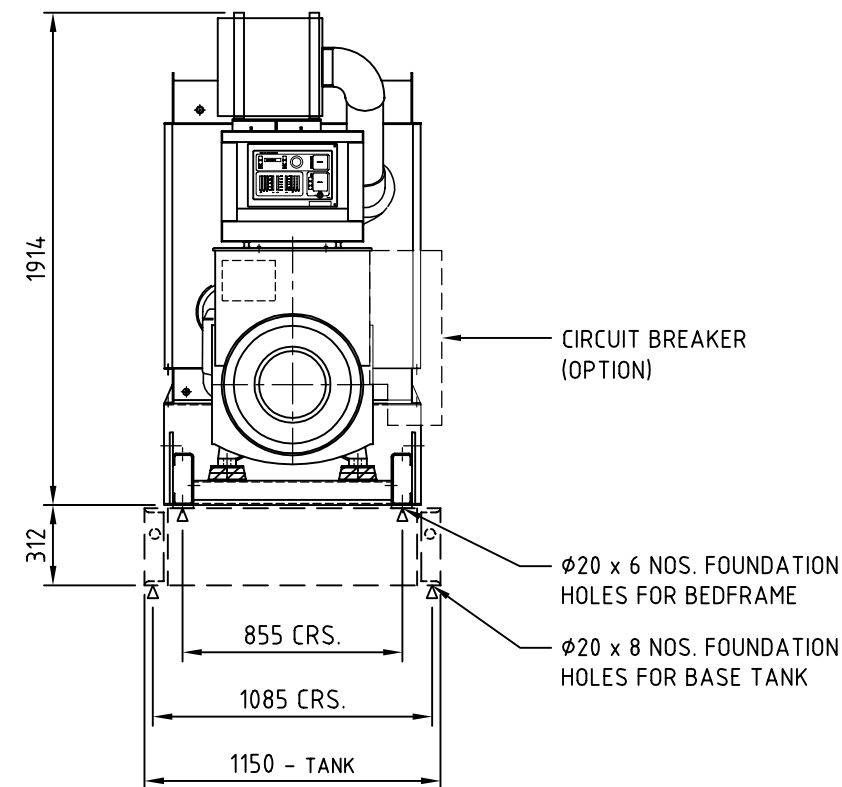
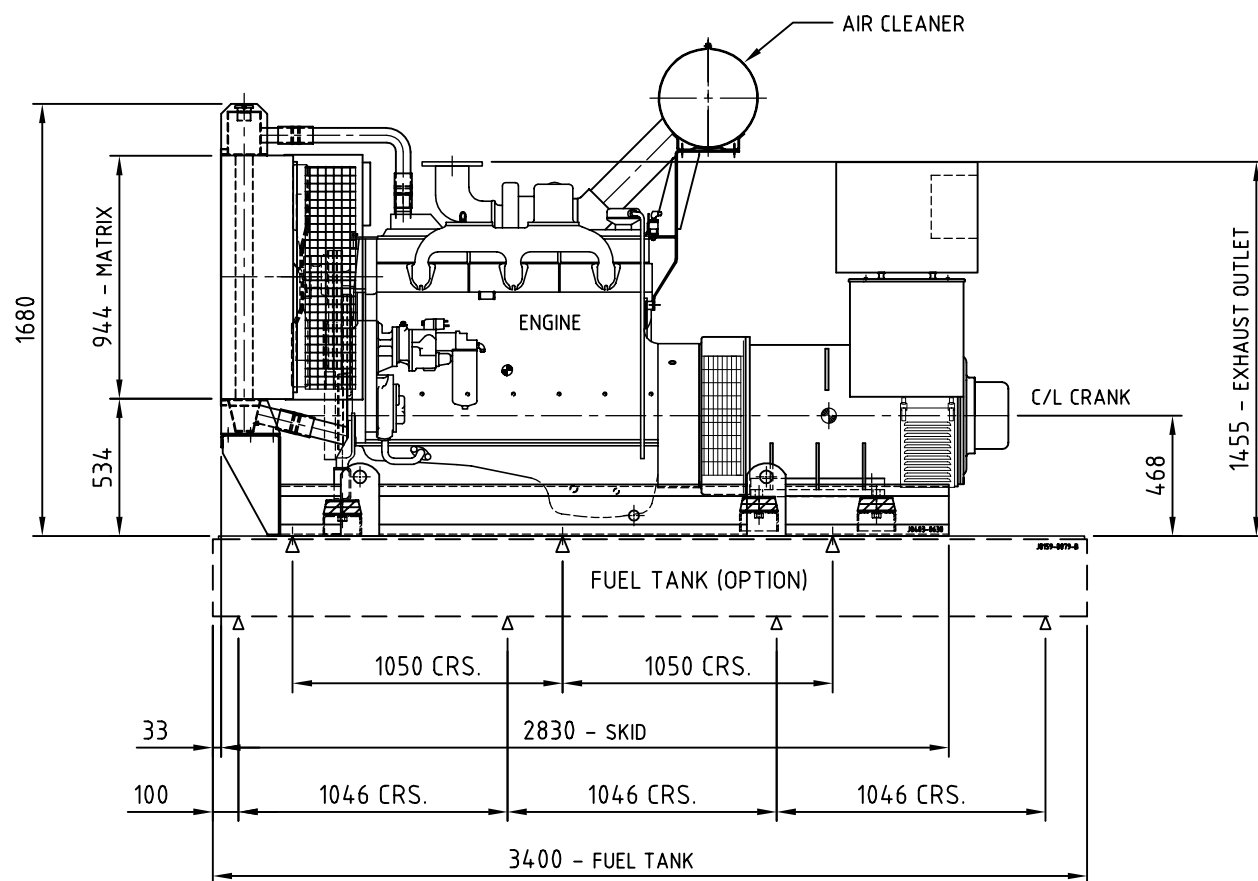
J0500-0460

B

REL NO	LTR	NO	REVISION	ZONE	DR	CHKR	APPROVED	DATE
-	-	1	1ST RELEASE	-	SC	LS	CL	17-JUN-05



	Model	Engine	Alternator	Ambient Temp.	Open Bed (kg)		Open Bed with Fuel Tank (kg)		Tank (Litres)
					Dry Wt.	Wet Wt.	Dry Wt.	Wet Wt.	
50Hz	C300 D5	NT855 G6	HC4D	40°C	2767	2876	3517	4294	800
50Hz	C350 D5	NT855 G6	HC4E	40°C	2852	2960	3602	4380	800



METRIC DWG		TOLERANCE UNLESS OTHERWISE SPECIFIED		SIM TO		NAME		DATE		CUMMINS	CUMMINS POWER GENERATION	
AUTOCAD DWG		mm	Inch	COPIED FROM	DR	CHKR	MFG	APPROVED	DATE		44 PIONEER SECTOR 2 SINGAPORE 628395	
DO NOT SCALE PRINT	ANG TOL ±1°	X ±1		THIRD ANGLE PROJECTION	S.CHUA	<input checked="" type="checkbox"/>	L.SNG	C.LIM	17-JUN-05	PGS	GENSET OUTLINE	
	DRAWN TO SCALE OF 1/30	.X ±.5		THIS DOCUMENT IS THE PROPERTY OF CUMMINS POWER GENERATION. IT CONTAINS PROPRIETARY AND CONFIDENTIAL INFORMATION WHICH MUST NOT BE DUPLICATED, USED OR DISCLOSED OTHER THAN AS EXPRESSLY AUTHORIZED BY CUMMINS POWER GENERATION OR ITS REPRESENTATIVE		<input type="checkbox"/>			17-JUN-05		DWG NO.	J0500-0460
		HOLE			MODEL FIRST USED ON							DWG SI ZE B

PGS REF: