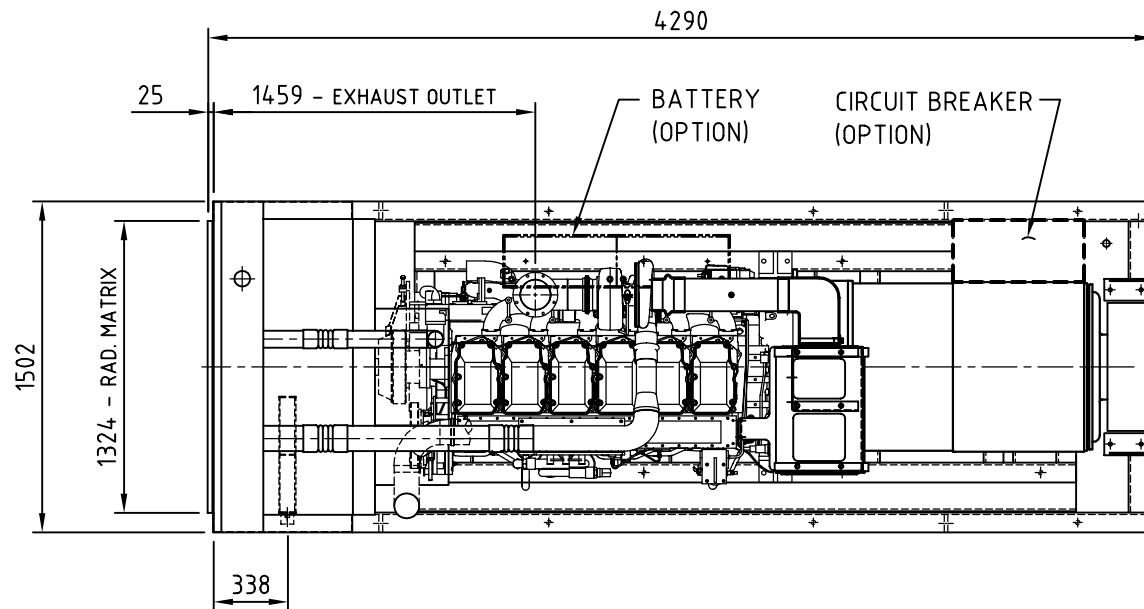


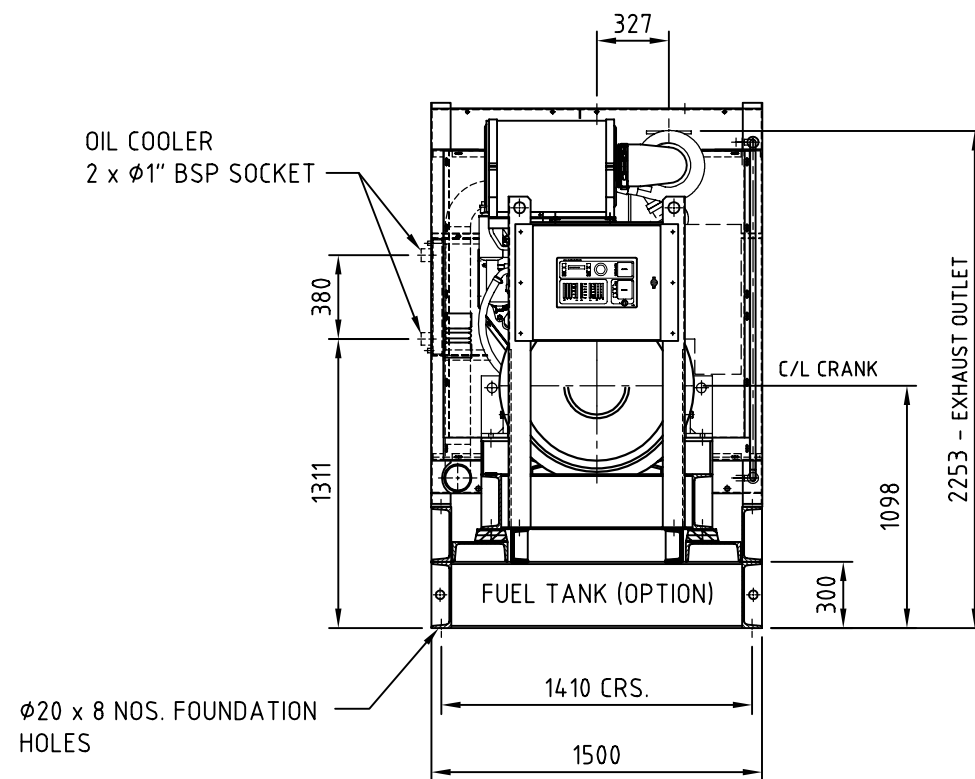
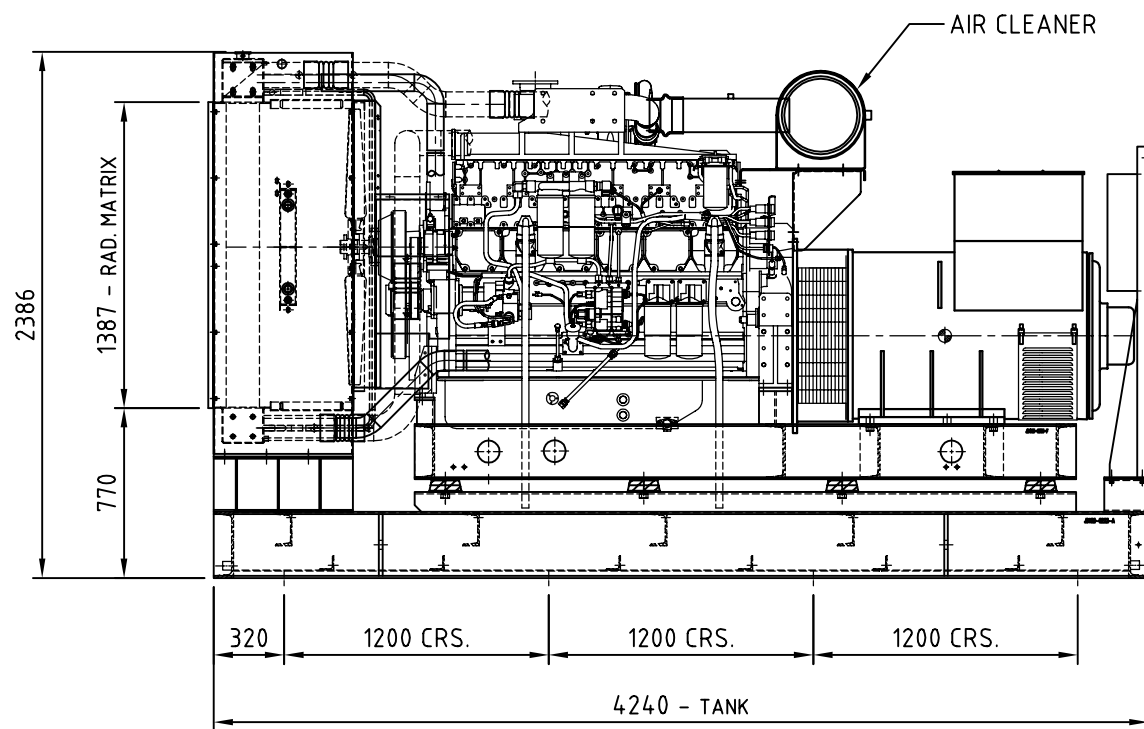
J0500-0634

B

REL NO	LTR	NO	REVISION	ZONE	DR	CHKR	APPROVED	DATE
-	-	1	1ST RELEASE	-	SC	LS	CL	30-MAY-06



	Model	Engine	Alternator	Ambient Temp.	Open Bed (kg)		Open Bed with Fuel Tank (kg)		Tank (Litres)
					Dry Wt.	Wet Wt.	Dry Wt.	Wet Wt.	
50Hz	C840 D5	QSK23 G3	HC6G	40°C	-	-	7883	9377	1400
50Hz	C900 D5	QSK23 G3	HC6H	40°C	-	-	8033	9527	1400
60Hz	C780 D6	QSK23 G3	HC6G	40°C	-	-	7883	9377	1400
60Hz	C825 D6	QSK23 G3	HC6H	40°C	-	-	8033	9527	1400



METRIC DWG		TOLERANCE UNLESS OTHERWISE SPECIFIED		SIM TO		NAME		DATE		CUMMINS	CUMMINS POWER GENERATION	
AUTOCAD DWG		mm	Inch	COPIED FROM	DR	S.CHUA	30-MAY-06				44 PIONEER SECTOR 2 SINGAPORE 628395	
DO NOT SCALE PRINT		ANG TOL ±1°		THIRD ANGLE PROJECTION		CHKR <input checked="" type="checkbox"/> L.SNG		30-MAY-06		TITLE		
DRAWN TO SCALE OF 1/35		HOLE		THIS DOCUMENT IS THE PROPERTY OF CUMMINS POWER GENERATION. IT CONTAINS PROPRIETARY AND CONFIDENTIAL INFORMATION WHICH MUST NOT BE DUPLICATED, USED OR DISCLOSED OTHER THAN AS EXPRESSLY AUTHORIZED BY CUMMINS POWER GENERATION OR ITS REPRESENTATIVE		APPROVED C.LIM		30-MAY-06		GENSET OUTLINE		
						OR INTERPRETATION OF DIMENSIONING AND TOLERANCING, SEE ANSI Y14.5M-1982		MODEL FIRST USED ON		SITE CODE		
						XXXX		PGS		DWG NO. J0500-0634		
										SHEET 1 OF 1		

PGS REF: