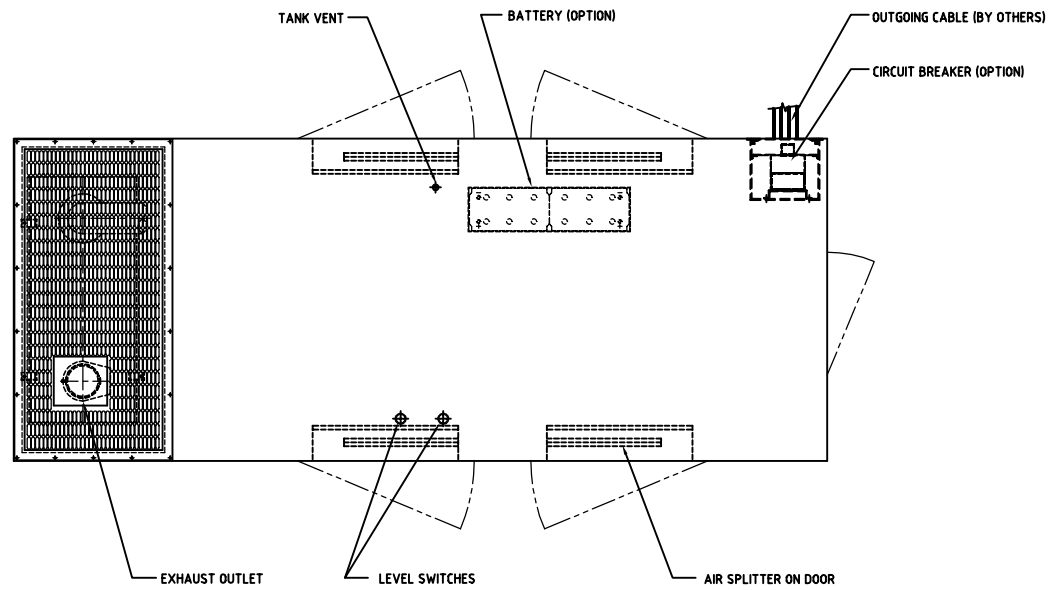
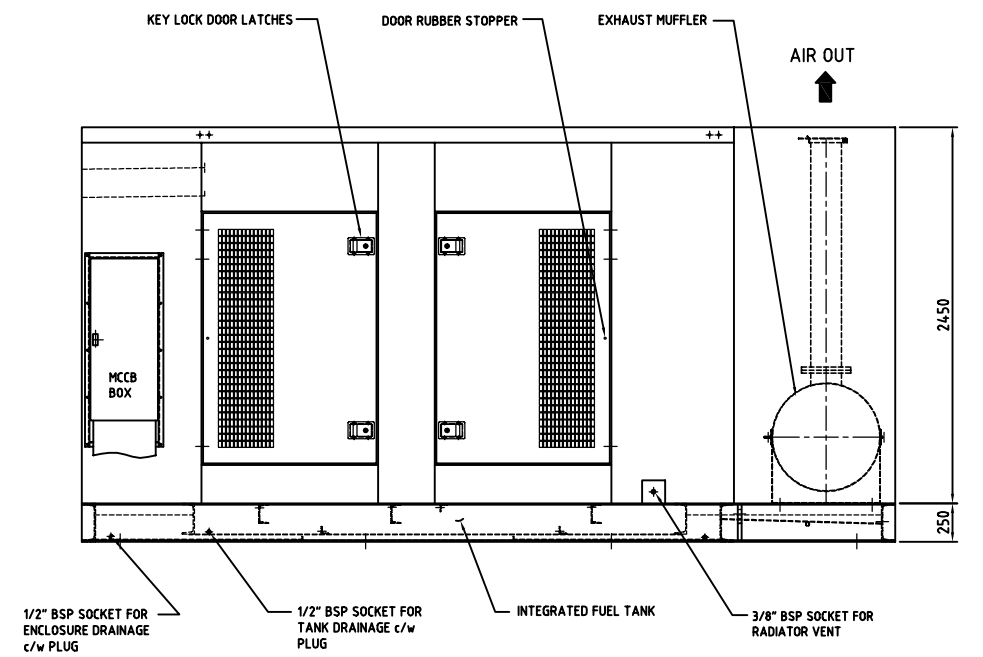
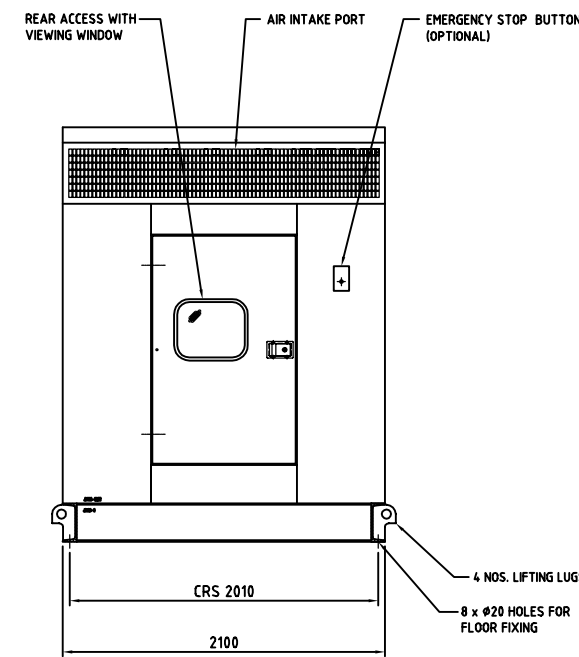
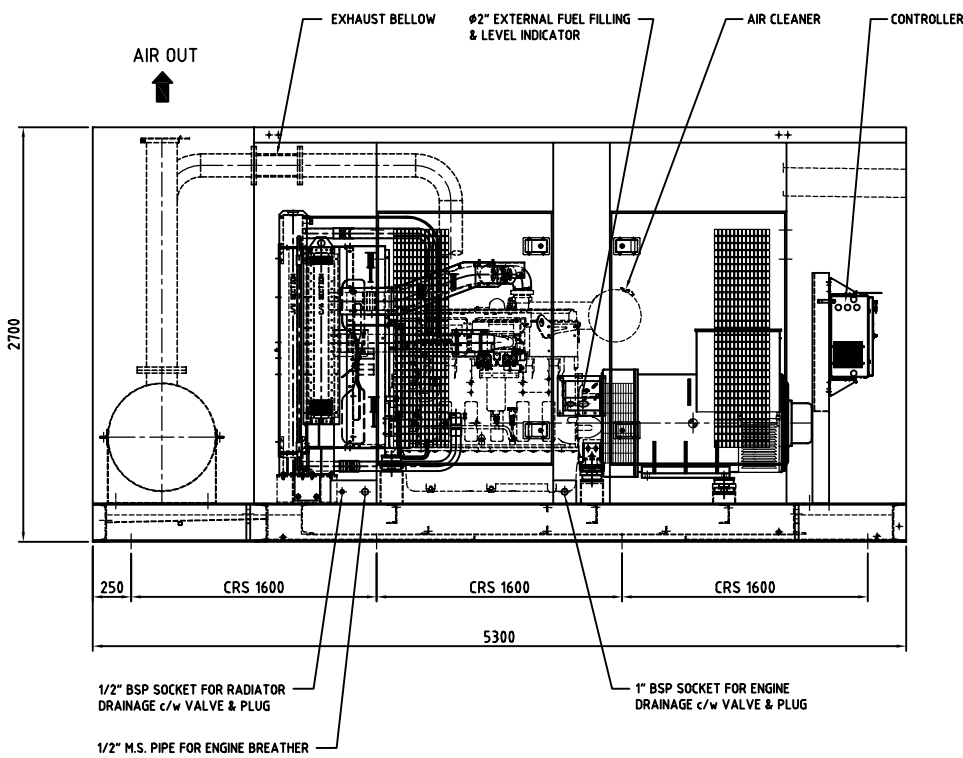


REL NO	LTR	NO	REV	SI	ON	ZONE	DR	CHKR	APPROVED	DATE
-	-	1	1ST	RELEASE						24-JUN-05



	Model	Engine	Alternator	Ambient Temp.	Ambient Temp. (Option)	Tank (Litres)	Weight Dry (kg)	Weight Wet (kg)	Noise Level dBA @ 1m
50 Hz	C500 D5	QSX15 G8	HCSD	40°C	50°C	1200	6980	8190	85
50 Hz	C550 D5	QSX15 G8	HCSE	40°C	50°C	1200	7130	8340	85
60 Hz	C450 D6	QSX15 G9	HCSD	40°C	50°C	1200	6980	8190	85
60 Hz	C500 D6	QSX15 G9	HCSD	40°C	50°C	1200	6980	8190	85



<b>DO NOT SCALE PRINT</b> METRIC DWG AUTOCAD DWG	TOLERANCE UNLESS OTHERWISE SPECIFIED mm      Inch		SH TO X X	NAME S.CHUA	DATE 24-JUN-05	CUMMINS POWER GENERATION 44 PIONEER SECTOR 2 SINGAPORE 600096
	DIM X ±1 .XX ±.25	HOLE 0.08-4.99 +0.15/-0.08 5.00-9.99 +0.20/-0.10 10.00-17.49 +0.25/-0.13 17.50-24.99 +0.30/-0.13	004-200 ±.006/-0.03 201-421 ±.006/-0.04 422-703 ±.010/-0.05 704-999 ±.012/-0.05	COPY FROM X X TIR NO. ANGLE PROJECT ON	DR - S.CHUA CHKR BY - L.SNG APPROVED - C.LIM	
ANG TOL ±1° DRAWN TO 1/25 SCALE OF	THIS DOCUMENT IS THE PROPERTY OF CUMMINS POWER GENERATION. IT IS TO BE USED ONLY FOR THE PROJECT AND SITE SPECIFICALLY IDENTIFIED HEREIN. IT IS NOT TO BE REPRODUCED, COPIED, OR TRANSMITTED IN ANY FORM OR BY ANY MEANS, ELECTRONIC OR MECHANICAL, INCLUDING PHOTOCOPYING, RECORDING, OR BY ANY INFORMATION STORAGE AND RETRIEVAL SYSTEM, WITHOUT THE WRITTEN PERMISSION OF CUMMINS POWER GENERATION OR ITS REPRESENTATIVE.		FOR INTERPRETATION OF TOLERANCES, SEE ANSI Y14.5M-1982	MODEL FIRST USED ON XXXXX	SITE CODE PGS	DWG NO. J0500-0470
						SHEET 1 OF 1 PGF REF.: