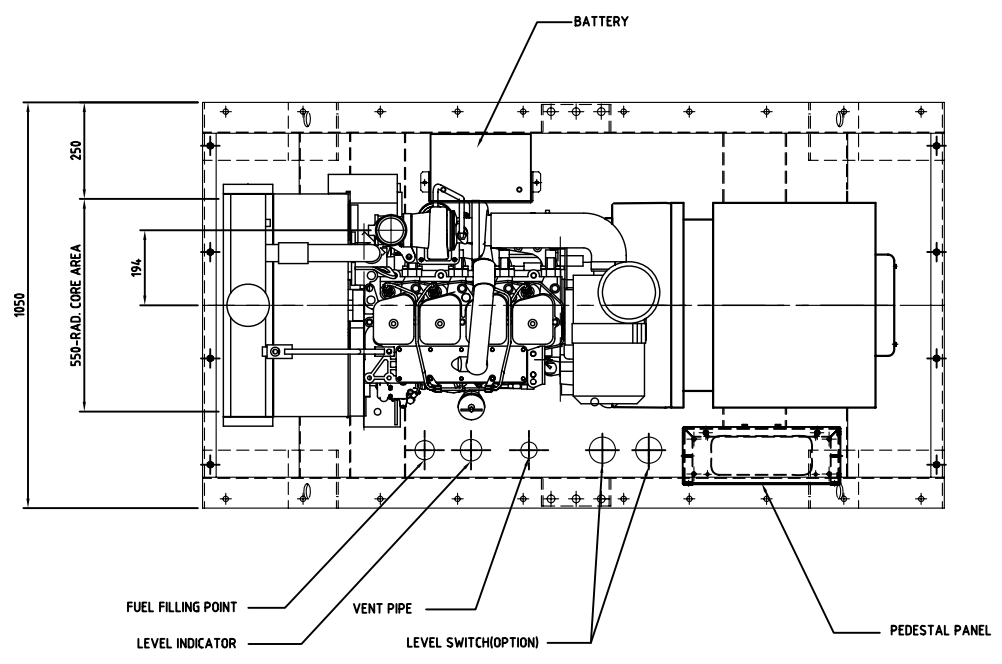
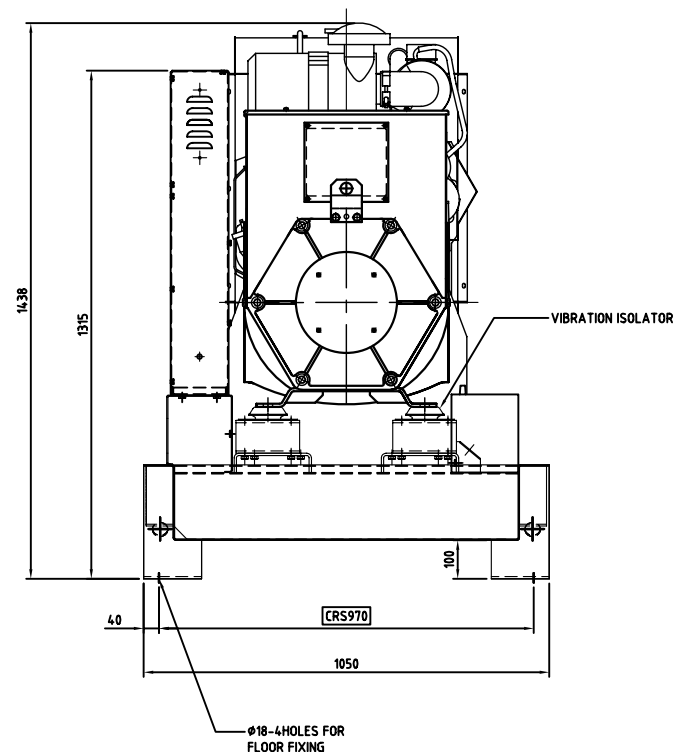
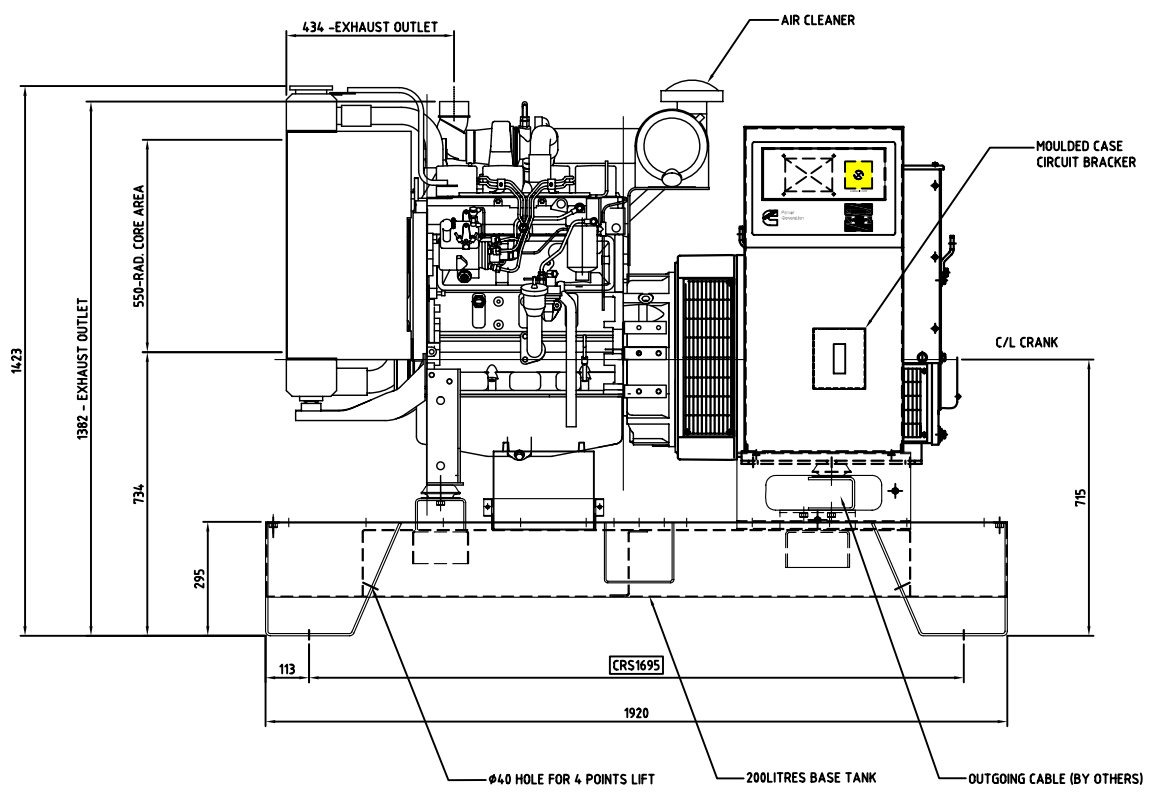


J0500-0766

REL NO	LTR	NO	REV SI ON	ZONE	DR	CHKR	APPROVED	DATE
-	A	1	PRODUCTION RELEASE	-	AMM	GL	CL	29-MAR-07
-	B	1	ADD CIRCUIT BREAKER DWG. & INCREASE SKID HEIGHT	-	AMM	GL	CL	04-MAY-07



	Model	Engine	Newage Alternator	Ambient Temp.	Tank Net (Litres)	Weight Dry (kg)	Weight Wet (kg)
50Hz	C70D5	4BT3.9G4	UC224F	50°C	200	1060	1270
50Hz	C80D5	4BTA3.9G3	UC224F	50°C	200	1120	1335
50Hz	C90D5	4BTA3.9G4	UC224G	50°C	200	1165	1380
50Hz	C100D5	4BTA3.9G4	UC274C	40°C	200	1195	1405
60Hz	C60D6	4BT3.9G4	UC224E	50°C	200	1060	1270
60Hz	C70D6	4BTA3.9G3	UC224F	50°C	200	1120	1335
60Hz	C80D6	4BTA3.9G4	UC224G	50°C	200	1165	1380
60Hz	C90D6	4BTA3.9G4	UC274C	40°C	200	1195	1405



METRIC DWG
AUTOCAD DWG

DO NOT SCALE PRINT	TOLERANCE UNLESS OTHERWISE SPECIFIED	QTY	ITEM	PART NO.	DESCR PTI ON OR MATERI AL	REF DES
ANG TOL ± 1° <td>mm X ± 1 .X ± .5 XX ± .25</td> <td></td> <td></td> <td></td> <td></td> <td></td>	mm X ± 1 .X ± .5 XX ± .25					
SCALE OF 1/10	0.09- 4.99 +0.15/-0.08 5.00- 9.99 +0.20/-0.10 10.00-17.49 +0.25/-0.13 17.50-24.99 +0.30/-0.15					
	1.004- 200 +.006/- .003 201- 421 +.006/- .004 422- 703 +.010/- .005 704- 999 +.012/- .005					
	THIS DOCUMENT IS THE PROPERTY OF CUMMINS POWER GENERATION. IT IS TO BE KEPT IN CONFIDENTIALITY AND NOT REPRODUCED OR TRANSMITTED IN ANY FORM OR BY ANY MEANS, ELECTRONIC OR MECHANICAL, INCLUDING PHOTOCOPYING, RECORDING, OR BY ANY INFORMATION STORAGE AND RETRIEVAL SYSTEM. WITHOUT THE WRITTEN PERMISSION OF CUMMINS POWER GENERATION, ANY UNAUTHORIZED REPRODUCTION OR USE IS PROHIBITED.		APPROVED C.LIM		DATE	
	FOR INTERPRETATION ON MODEL FIRST USED ON		NAME		29-MAR-07	
	ANSI Y14.5M-2002		DR		29-MAR-07	
			CHKR		29-MAR-07	
			MFG			
			APPROVED			
			NAME			
			AUNG MOE MYINT			
			GRACE LEE			
			CUMMINS POWER GENERATION			
			44 PIONEER SECTOR 2 SINGAPORE 639396			
			TITLE			
			CANOPY OUTLINE			
			SITE CODE			
			PGS			
			DWG NO.			
			J0500-0766			
			SHEET			
			1 of 1			
			PGS REF:			