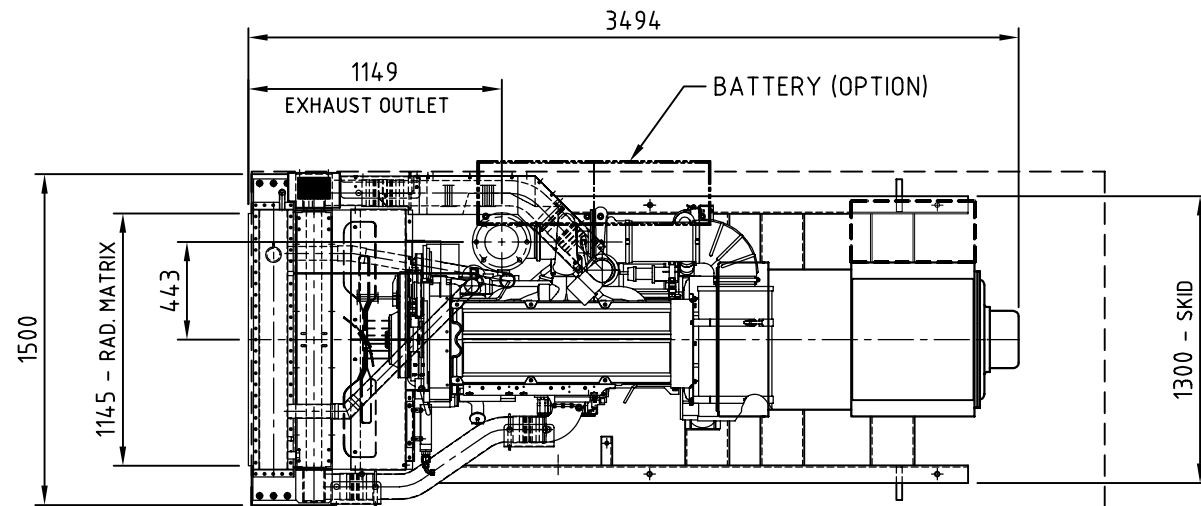


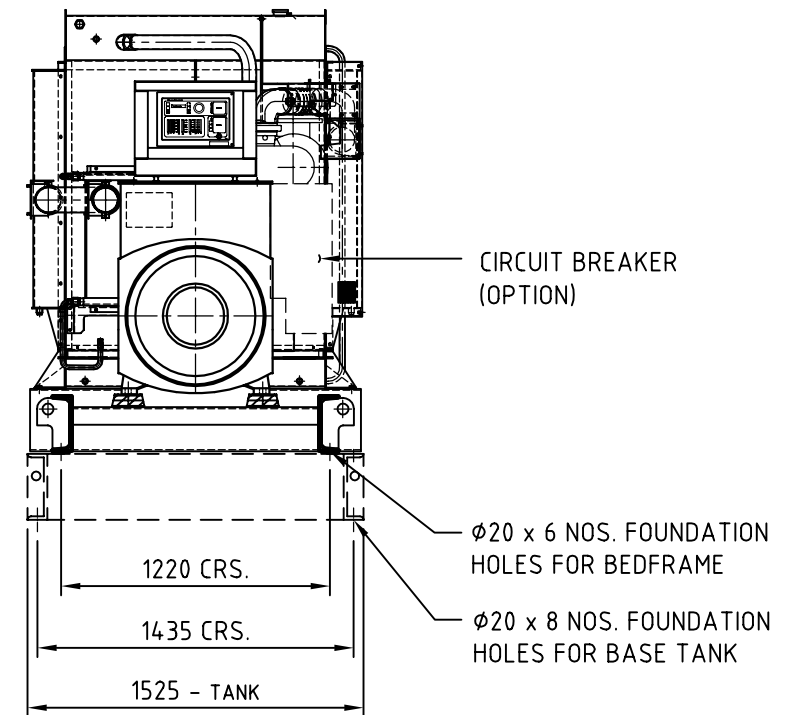
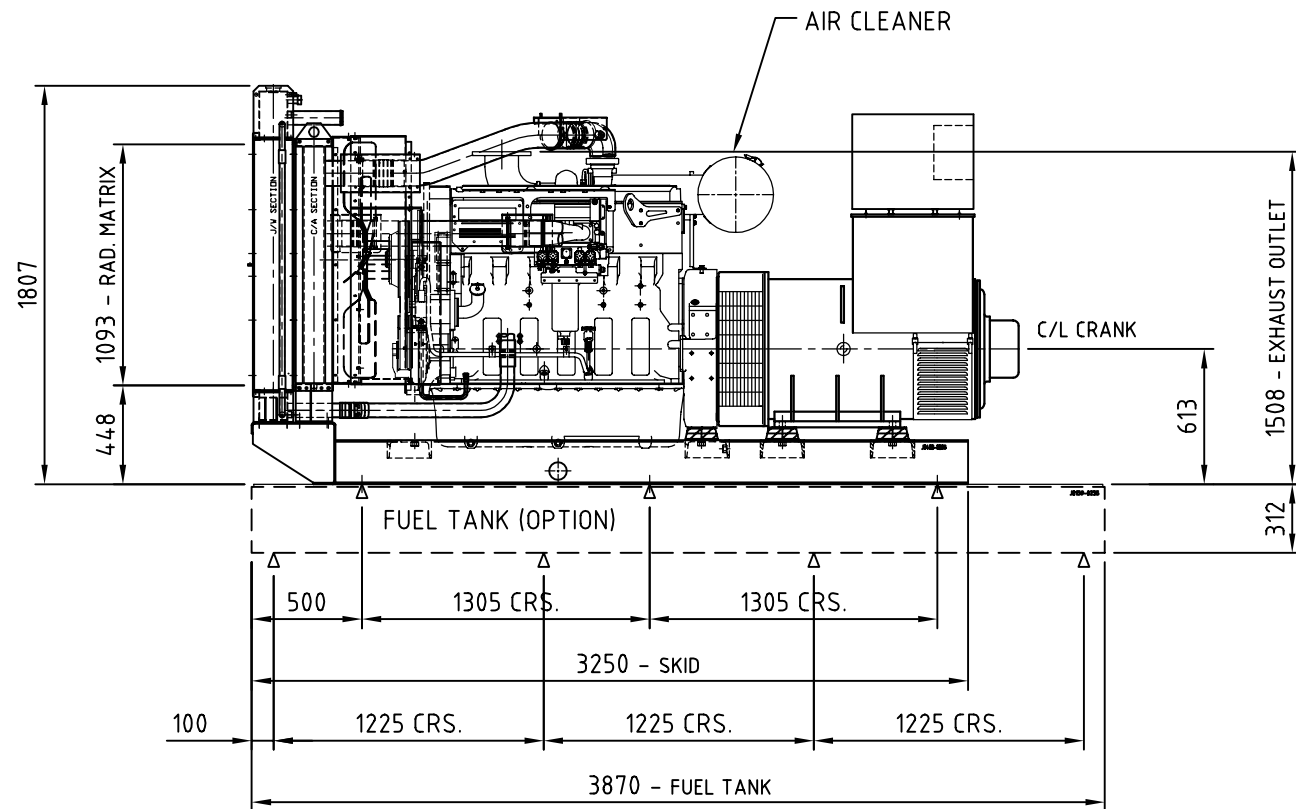
J0500-0464

B

REL NO	LTR	NO	REVISION	ZONE	DR	CHKR	APPROVED	DATE
-	-	1	1ST RELEASE	-	SC	LS	CL	17-JUN-05



	Model	Engine	Alternator	Ambient Temp.	Open Bed (kg)		Open Bed with Fuel Tank (kg)		Tank (Litres)
					Dry Wt.	Wet Wt.	Dry Wt.	Wet Wt.	
50Hz	C500 D5	QSX15 G8	HC5D	40°C	3700	3860	4550	5711	1200
50Hz	C550 D5	QSX15 G8	HC5E	40°C	3850	4010	4700	5860	1200
60Hz	C450 D6	QSX15 G9	HC5D	40°C	3700	3860	4550	5711	1200
60Hz	C500 D6	QSX15 G9	HC5D	40°C	3700	3860	4550	5711	1200



METRIC DWG		TOLERANCE UNLESS OTHERWISE SPECIFIED		SIM TO		NAME		DATE			CUMMINS POWER GENERATION	
AUTOCAD DWG		mm		Inch		DR S.CHUA		17-JUN-05			44 PIONEER SECTOR 2 SINGAPORE 628395	
DO NOT SCALE PRINT		ANG TOL ±1°		DRAWN TO SCALE OF 1/35		CHKR <input checked="" type="checkbox"/> L.SNG		17-JUN-05		TITLE GENSET OUTLINE		
		HOLE DIM		THIRD ANGLE PROJECTION		APPROVED C.LIM		17-JUN-05		SITE CODE PGS		
		0.09-4.99 ±0.15/-0.08		.004-.200 ±.006/-0.003		FOR INTERPRETATION OF DIMENSIONS AND TOLERANCING, SEE ANSI Y14.5M-1982		MODEL FIRST USED ON XXXX		DWG NO. J0500-0464		
		5.00-9.99 ±0.20/-0.10		.201-.421 ±.008/-0.004						SHEET 1 of 1		
		10.00-17.49 ±0.25/-0.13		.422-.703 ±.010/-0.005						DWG SIZE B		
		17.50-24.99 ±0.30/-0.13		.704-.999 ±.012/-0.005						PGS REF:		